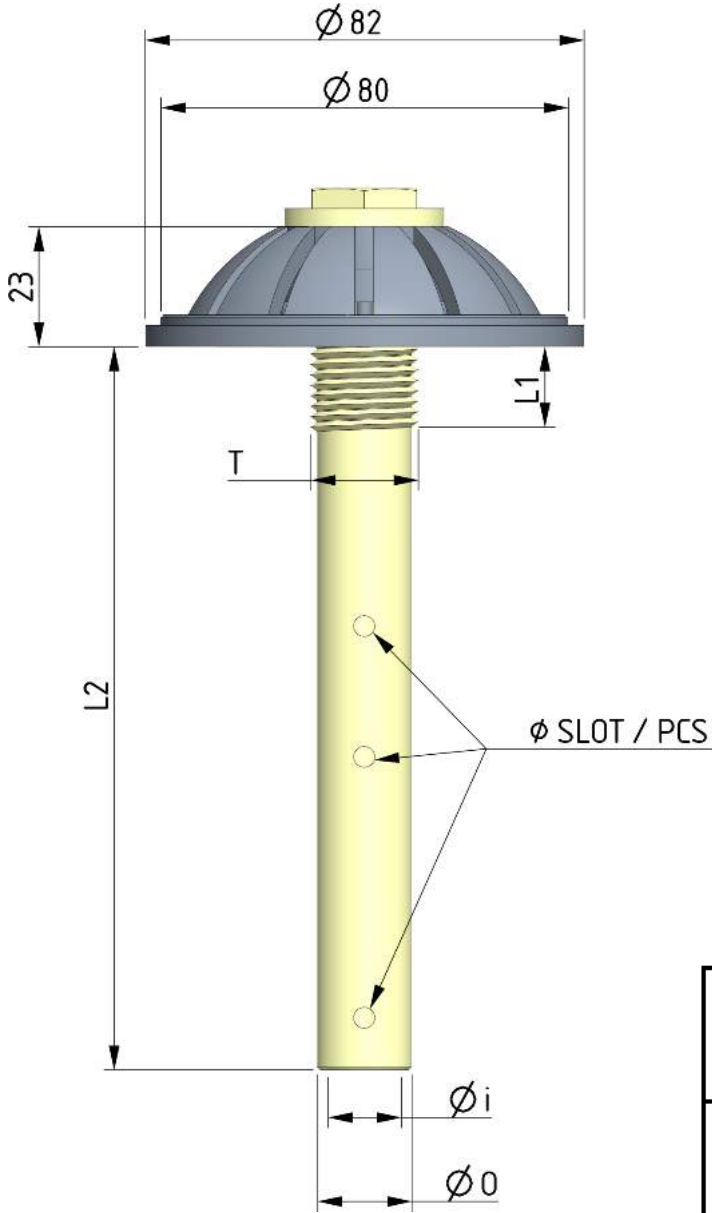


TYPE - HG



Type	Slot Width (mm)	Slot No (pcs)
HG	0,5	20
	2	12

THREAD	THREAD SIZE (O.D.)	INNER DIAMETER	L1	L2
3/4" G	26,3 mm	16mm	20, 25, 30, +5, 100 mm	20, 25, 30, +5, 455 mm
1" G	33,2 mm	21mm	20, 25, 30, +5, 100 mm	20, 25, 30, +5, 455 mm
M24	24 mm	16 mm	20, 25, 30, +5, 100 mm	20, 25, 30, +5, 455 mm
M22 x 1,5	22 mm	16 mm	20, 25, 30, +5, 100 mm	20, 25, 30, +5, 455 mm
M30	30 mm	21 mm	20, 25, 30, +5, 100 mm	20, 25, 30, +5, 455 mm
15/16" WW	23,5 mm	16 mm	20, 25, 30, +5, 100 mm	20, 25, 30, +5, 455 mm
1" W	25,4 mm	16 mm	20, 25, 30, +5, 100 mm	20, 25, 30, +5, 455 mm
1 - 1/4" WW	31,75 mm	21 mm	20, 25, 30, +5, 100 mm	20, 25, 30, +5, 455 mm