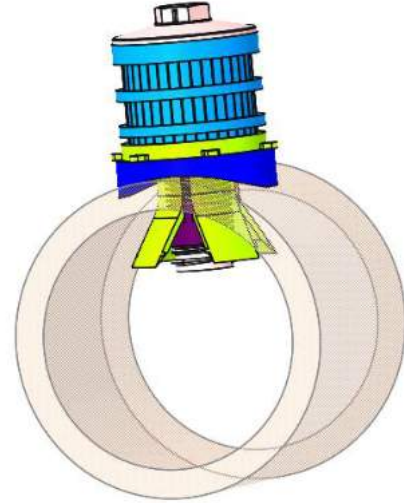
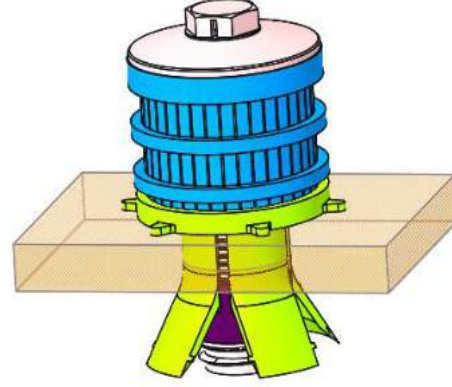
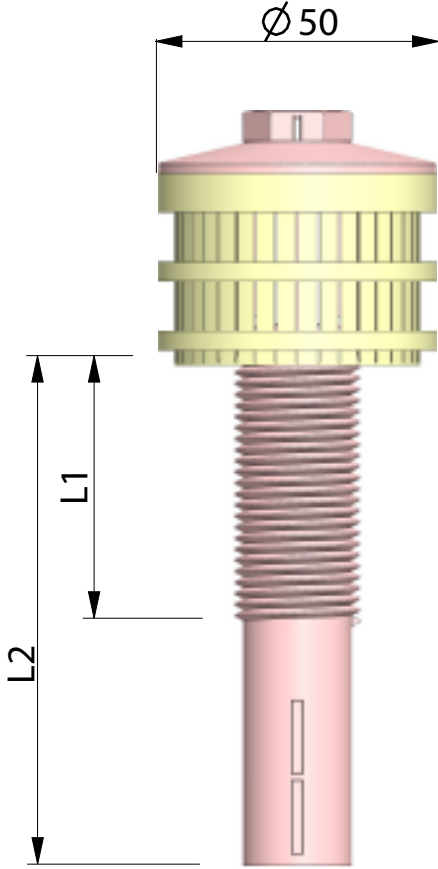


TİP - AFN/H



Boru Çapı(mm)	Montaj deliği Çapı(mm)
75	Ø 28,0
90	
110	
114	
160	

Tip	Yarık Aralığı (mm)	Yarık Sayısı (adet)	Toplam Alan (mm ²)
AFN/H	0,2	36	137
	0,3	36	205
	0,35	36	240
	0,4	36	274
	0,5	36	342
	0,8	36	546
	1	24	456
	2	20	700

Diş	Diş Çapı (O.D.)	Boru İç Çapı	L1	L2
3/4" G	26,3 mm	16mm	20, 25, 30, +5, 100 mm	20, 25, 30, +5, 455 mm
1" G	33,2 mm	21mm	20, 25, 30, +5, 100 mm	20, 25, 30, +5, 455 mm
M24	24 mm	16 mm	20, 25, 30, +5, 100 mm	20, 25, 30, +5, 455 mm
M22 x 1,5	22 mm	16 mm	20, 25, 30, +5, 100 mm	20, 25, 30, +5, 455 mm
M30	30 mm	21 mm	20, 25, 30, +5, 100 mm	20, 25, 30, +5, 455 mm
15/16" WW	23,5 mm	16 mm	20, 25, 30, +5, 100 mm	20, 25, 30, +5, 455 mm
1" W	25,4 mm	16 mm	20, 25, 30, +5, 100 mm	20, 25, 30, +5, 455 mm
1 - 1/4" WW	31,75 mm	21 mm	20, 25, 30, +5, 100 mm	20, 25, 30, +5, 455 mm