

FILTER NOZZLES
PRODUCT FILE

■ ■ ■ aquaflex ■ ■ ■

**DRINKING WATER
AND
WASTE WATER TREATMENT PLANT EQUIPMENT**

TABLE OF CONTENT

03	About us
04	Why Chooses Us ?
05	CYLINDRIC TYPE - S
06	CYLINDRIC TYPE - F
07	CYLINDRIC TYPE - H
08	CONIC TYPE - M
09	TYPE - HG
10	TYPE - BW
11	TYPE - AFN/S
12	TYPE - AFN/H
13	TYPE - AFN/M
14	FILTER NOZZLE SLEEVE -BK
15	COARSE BUBBLE DISC DIFFUSER
16	ANCHORS
17	U-BOLT
18	PLATE
19	CONNECTION ACCESSORIES

ABOUT US

ERSIN GROUP was founded in 1974 under the name of “Ersin Molding Machine Industry”. The business has started with the production of various molds and special steel products. In years of production product range, technical knowledge, and quality requirements were significantly developed.

Aquaflex brand became a member of Ersin Group in 2002. Aquaflex was created to focus on two product lines – ‘Drinking Water and Waste Water Treatment Plant Equipment’ and ‘Pipeline Connection and Repair Equipment’. For Aquaflex ‘Wastewater Treatment Equipment’ product line Bursa Chamber of Commerce awarded Ersin Group for being the first producer and exporter of diffuser systems from Turkey. With high-quality control, great customer support, constant development, and competitive price, Aquaflex is already a well-accepted brand in the water and gas industry in over 65 countries worldwide.

Aquaflex products serve both public and private organizations and the company has been successfully participating in tenders, investments, WWTP projects, and similar. Furthermore, the development of a good retail system and a diverse head office team with knowledge from various areas are the basis for excellent customer service.

In production Aquaflex only uses most quality material, for example, high-quality stainless steel, carbon steel, dacromet, ductile, EPDM, NBR, SBR, and other materials desired by customers. Standard materials and dimensions or tailor-made products for each individual customer’s wishes can be produced and supplied.

All Aquaflex products meet current international standards for drinking water and gas supply. Following certificates are obtained: BS 6920 ,ISO 9001:2009, ISO 14001:2004, TSE – Turkish Standard Institute, and TZW KTW (Kunststoffe und Trinkwasser).

For several years is Aquaflex contributing to cleaner water and safer pipeline systems in over 65 countries worldwide; from African, Asian, European, South American, and Middle East countries. We are looking forward to serving you and cooperating with you in the future...

CEM SENER
GENERAL MANAGER



WHY CHOOSE US?

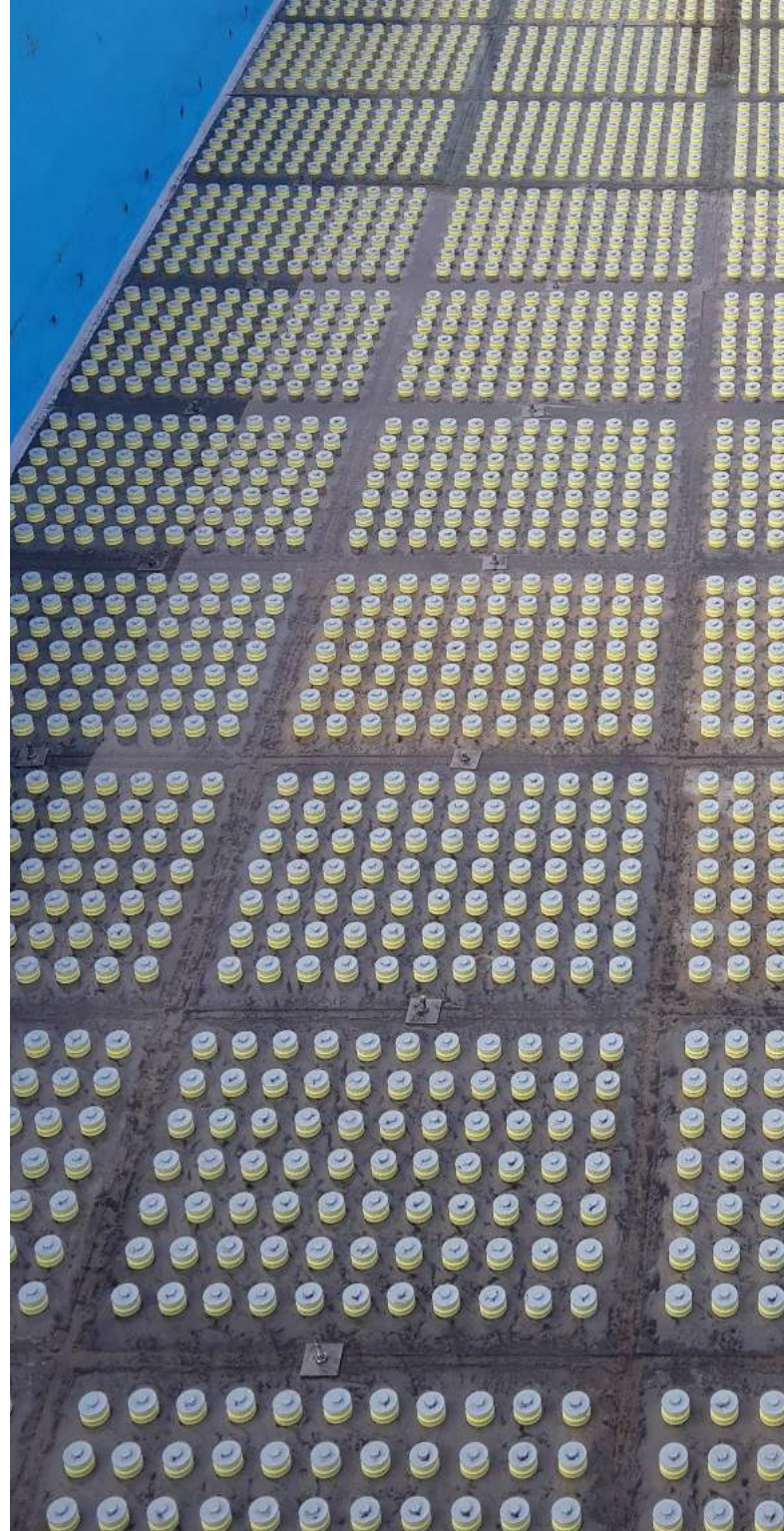
Aquaflex Drinking Water Filter Equipment is developed to support municipal, industrial, and private water treatment development. Product line of Aquaflex Filter Nozzles is designed to be used in all filter and drainage systems and can be active in sand, anthracite, activated carbon, concrete, and ion exchange resin treatment.

Material for production of Aquaflex products is carefully chosen and regularly tested. All Aquaflex product lines are situated in Bursa, Turkey. In an open-atmosphere filter nozzles are positioned on the flat and smooth concrete plate whereas in a pressure process filter nozzles are placed on the stainless steel or ebonite coated plate. In both processes correct selection of model, length, slot number, and nozzle material will save energy and maintenance costs, and will be working for years.

All Aquaflex Drinking Water Filter Equipment is tested for usage in water for food and beverage industry.

THE MOST IMPORTANT FEATURES OF AQUAFLEX FILTER NOZZLES FROM OTHER PRODUCTS ARE:

- Durable housing
- Regular slot spacing
- Excellent resistance to variable filtering speeds
- Strong resistance to chemical processes
- Regular water distribution within the product
- Minimum maintenance requirement

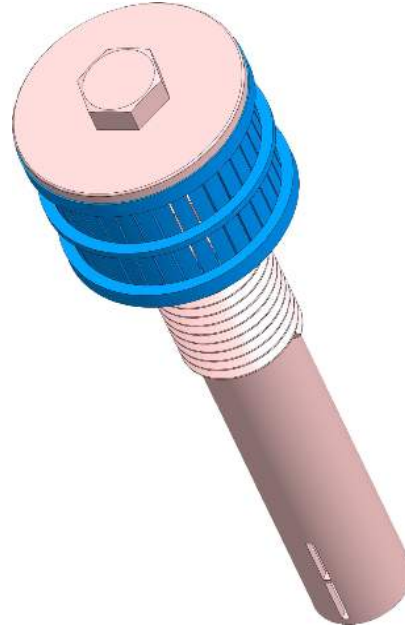
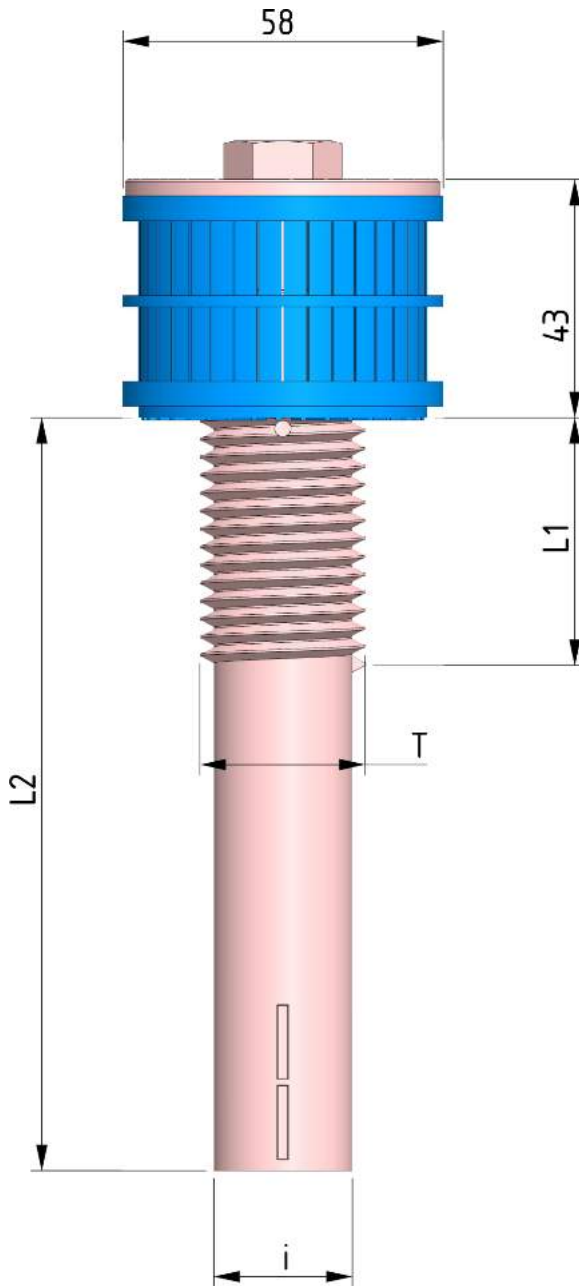


65+ COUNTRIES WORLDWIDE

Customers have already trusted us



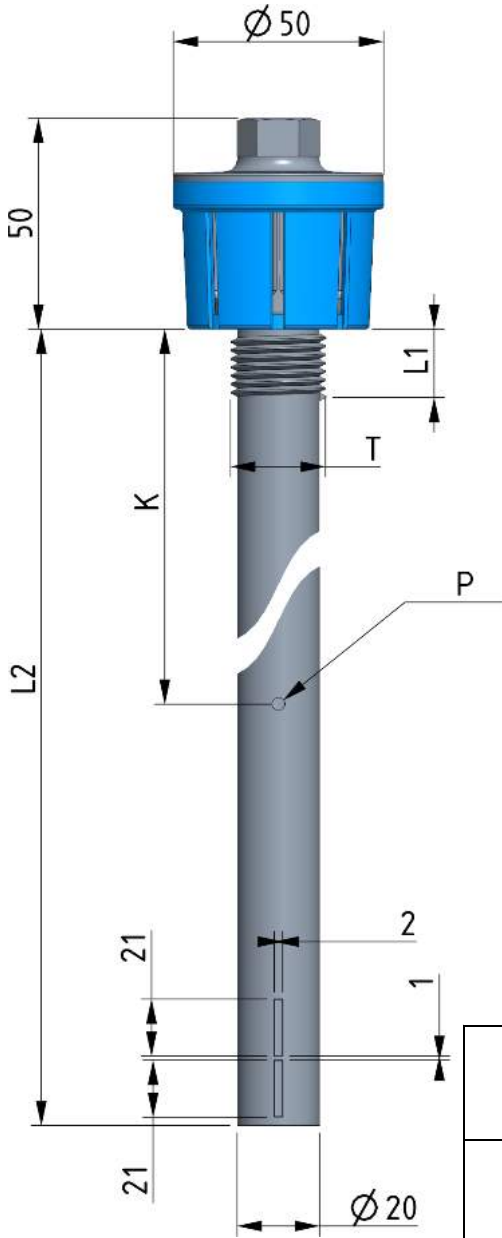
CYLINDRIC TYPE - S



Type	Slot Width (mm)	Slot No (pcs)	Total Slot Area (mm ²)
S	0,2	40	216
	0,25	40	270
	0,35	36	340
	0,5	36	486
	0,6	36	583
	1	36	972
	2	18	972

THREAD	THREAD SIZE (O.D.)	INNER DIAMETER	L1	L2
3/4" G	26,3 mm	16mm	20, 25, 30, +5, 100 mm	20, 25, 30, +5, 455 mm
1" G	33,2 mm	21mm	20, 25, 30, +5, 100 mm	20, 25, 30, +5, 455 mm
M24	24 mm	16 mm	20, 25, 30, +5, 100 mm	20, 25, 30, +5, 455 mm
M22 x 1,5	22 mm	16 mm	20, 25, 30, +5, 100 mm	20, 25, 30, +5, 455 mm
M30	30 mm	21 mm	20, 25, 30, +5, 100 mm	20, 25, 30, +5, 455 mm
15/16" WW	23,5 mm	16 mm	20, 25, 30, +5, 100 mm	20, 25, 30, +5, 455 mm
1" W	25,4 mm	16 mm	20, 25, 30, +5, 100 mm	20, 25, 30, +5, 455 mm
1 - 1/4" WW	31,75 mm	21 mm	20, 25, 30, +5, 100 mm	20, 25, 30, +5, 455 mm

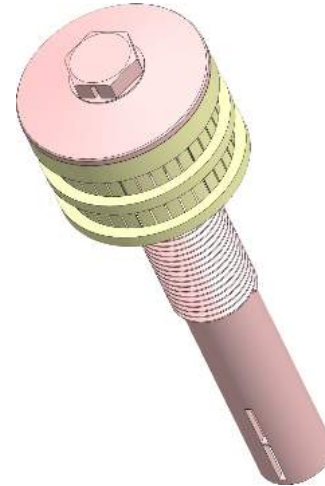
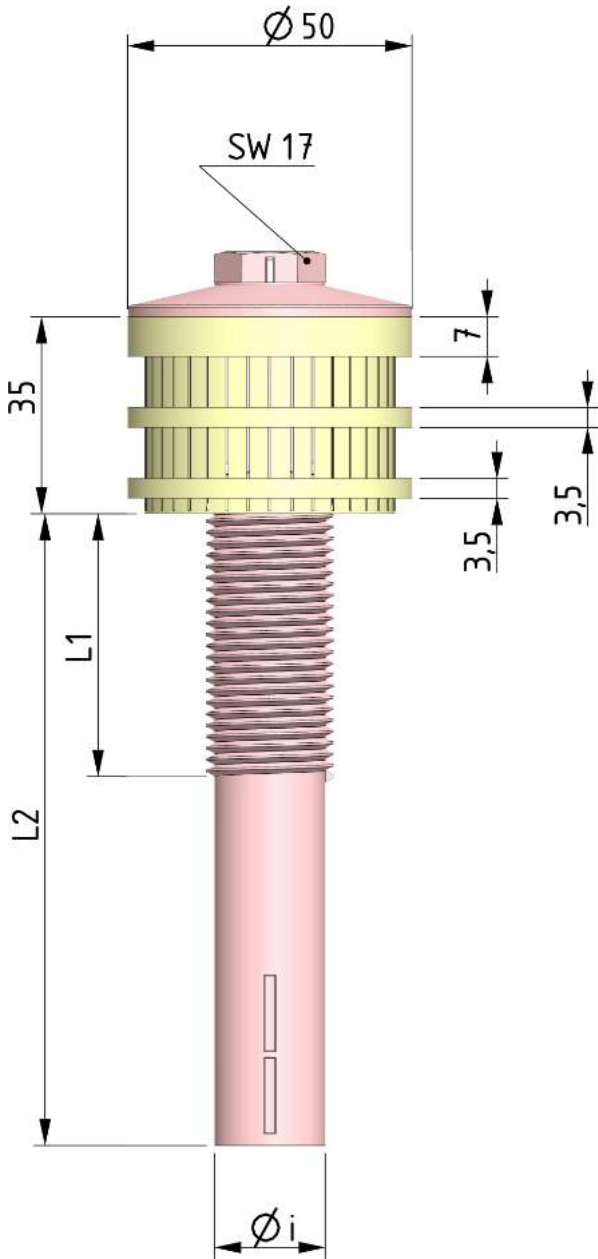
CYLINDRIC TYPE - F



Type	Slot Width (mm)	Slot No (pcs)	K (mm)	P (Ømm)	L1 (mm)	L2 (mm)
F	0,4	36	198	3,2	17,75	300
	2,5	8	230	3,8	17,75	330
	2,5	8	285	3,8	17,75	385

THREAD	THREAD SIZE (O.D.)	INNER DIAMETER	L1	L2
3/4" G	26,3 mm	16mm	20, 25, 30, +5, 100 mm	20, 25, 30, +5, 455 mm
1" G	33,2 mm	21mm	20, 25, 30, +5, 100 mm	20, 25, 30, +5, 455 mm
M24	24 mm	16 mm	20, 25, 30, +5, 100 mm	20, 25, 30, +5, 455 mm
M22 x 1,5	22 mm	16 mm	20, 25, 30, +5, 100 mm	20, 25, 30, +5, 455 mm
M30	30 mm	21 mm	20, 25, 30, +5, 100 mm	20, 25, 30, +5, 455 mm
15/16" WW	23,5 mm	16 mm	20, 25, 30, +5, 100 mm	20, 25, 30, +5, 455 mm
1" W	25,4 mm	16 mm	20, 25, 30, +5, 100 mm	20, 25, 30, +5, 455 mm
1 - 1/4" WW	31,75 mm	21 mm	20, 25, 30, +5, 100 mm	20, 25, 30, +5, 455 mm

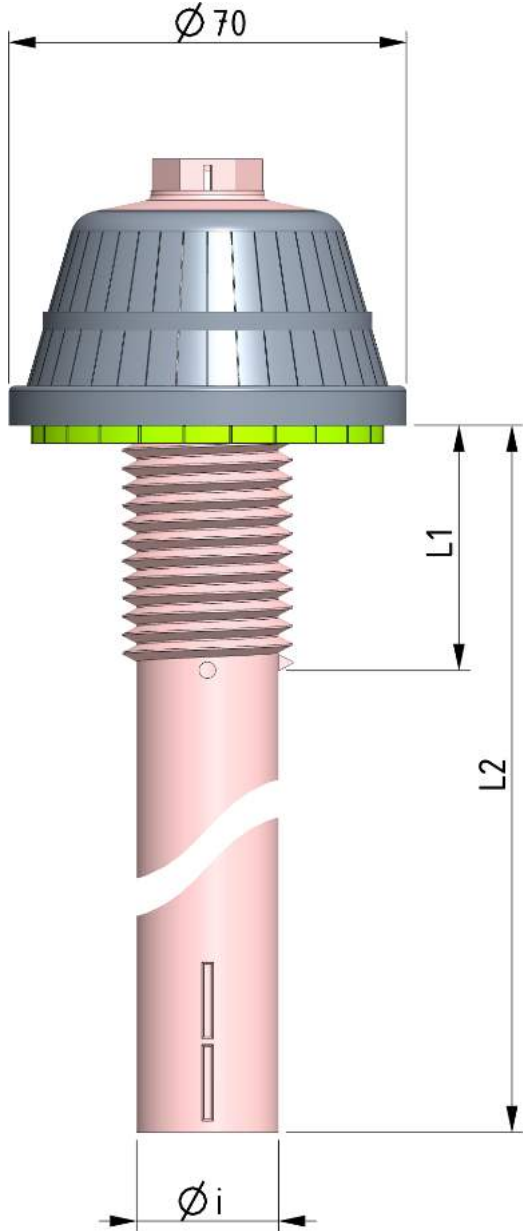
CYLINDRIC TYPE - H



Type	Slot Width (mm)	Slot No (pcs)	Total Slot Area (mm ²)
H	0,2	36	137
	0,3	36	205
	0,35	36	240
	0,4	36	274
	0,5	36	342
	0,8	36	546
	1	24	456
	2	20	700

THREAD	THREAD SIZE (O.D.)	INNER DIAMETER	L1	L2
3/4" G	26,3 mm	16mm	20, 25, 30, +5, 100 mm	20, 25, 30, +5, 455 mm
1" G	33,2 mm	21mm	20, 25, 30, +5, 100 mm	20, 25, 30, +5, 455 mm
M24	24 mm	16 mm	20, 25, 30, +5, 100 mm	20, 25, 30, +5, 455 mm
M22 x 1,5	22 mm	16 mm	20, 25, 30, +5, 100 mm	20, 25, 30, +5, 455 mm
M30	30 mm	21 mm	20, 25, 30, +5, 100 mm	20, 25, 30, +5, 455 mm
15/16" WW	23,5 mm	16 mm	20, 25, 30, +5, 100 mm	20, 25, 30, +5, 455 mm
1" W	25,4 mm	16 mm	20, 25, 30, +5, 100 mm	20, 25, 30, +5, 455 mm
1 - 1/4" WW	31,75 mm	21 mm	20, 25, 30, +5, 100 mm	20, 25, 30, +5, 455 mm

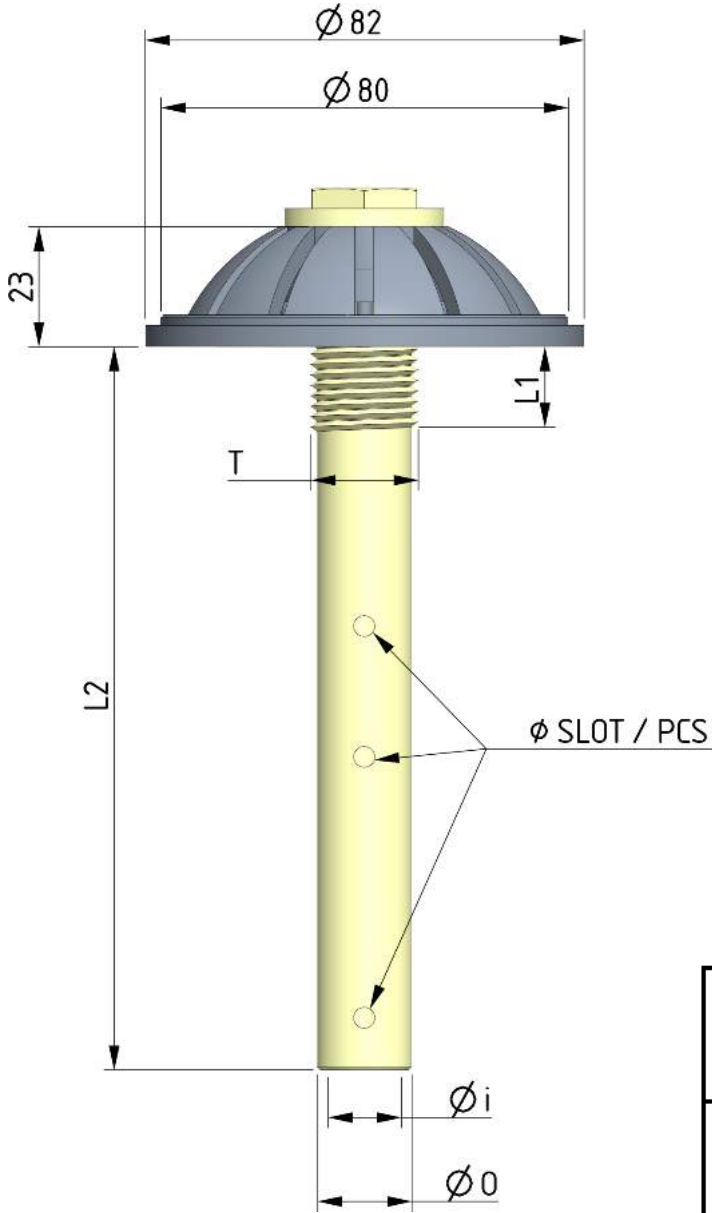
CONIC TYPE - M



Type	Slot Width (mm)	Slot No (pcs)	Total Slot Area (mm ²)
M	0,2	40	195
	0,25	40	205
	0,35	36	296
	0,5	36	423
	1	36	846
	2	24	950

THREAD	THREAD SIZE (O.D.)	INNER DIAMETER	L1	L2
3/4" G	26,3 mm	16mm	20, 25, 30, +5, 100 mm	20, 25, 30, +5, 455 mm
1" G	33,2 mm	21mm	20, 25, 30, +5, 100 mm	20, 25, 30, +5, 455 mm
M24	24 mm	16 mm	20, 25, 30, +5, 100 mm	20, 25, 30, +5, 455 mm
M22 x 1,5	22 mm	16 mm	20, 25, 30, +5, 100 mm	20, 25, 30, +5, 455 mm
M30	30 mm	21 mm	20, 25, 30, +5, 100 mm	20, 25, 30, +5, 455 mm
15/16" WW	23,5 mm	16 mm	20, 25, 30, +5, 100 mm	20, 25, 30, +5, 455 mm
1" W	25,4 mm	16 mm	20, 25, 30, +5, 100 mm	20, 25, 30, +5, 455 mm
1 - 1/4" WW	31,75 mm	21 mm	20, 25, 30, +5, 100 mm	20, 25, 30, +5, 455 mm

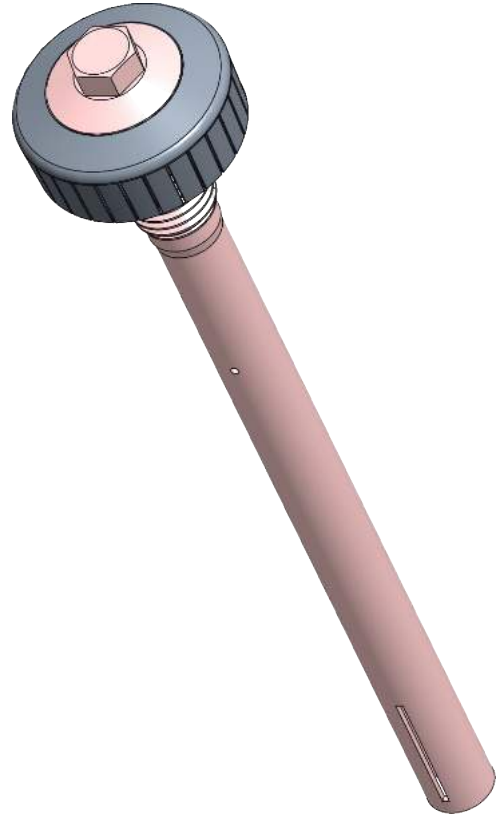
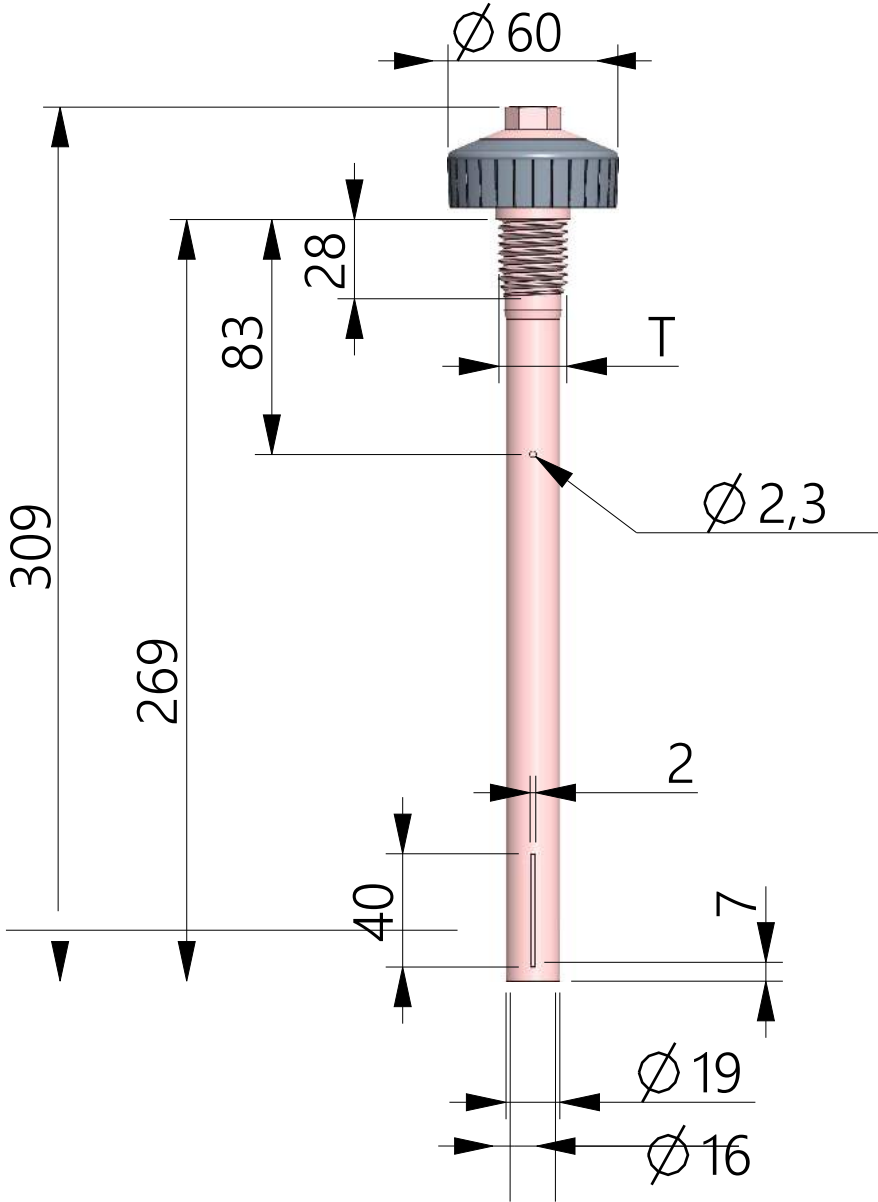
TYPE - HG



Type	Slot Width (mm)	Slot No (pcs)
HG	0,5	20
	2	12

THREAD	THREAD SIZE (O.D.)	INNER DIAMETER	L1	L2
3/4" G	26,3 mm	16mm	20, 25, 30, +5, 100 mm	20, 25, 30, +5, 455 mm
1" G	33,2 mm	21mm	20, 25, 30, +5, 100 mm	20, 25, 30, +5, 455 mm
M24	24 mm	16 mm	20, 25, 30, +5, 100 mm	20, 25, 30, +5, 455 mm
M22 x 1,5	22 mm	16 mm	20, 25, 30, +5, 100 mm	20, 25, 30, +5, 455 mm
M30	30 mm	21 mm	20, 25, 30, +5, 100 mm	20, 25, 30, +5, 455 mm
15/16" WW	23,5 mm	16 mm	20, 25, 30, +5, 100 mm	20, 25, 30, +5, 455 mm
1" W	25,4 mm	16 mm	20, 25, 30, +5, 100 mm	20, 25, 30, +5, 455 mm
1 - 1/4" WW	31,75 mm	21 mm	20, 25, 30, +5, 100 mm	20, 25, 30, +5, 455 mm

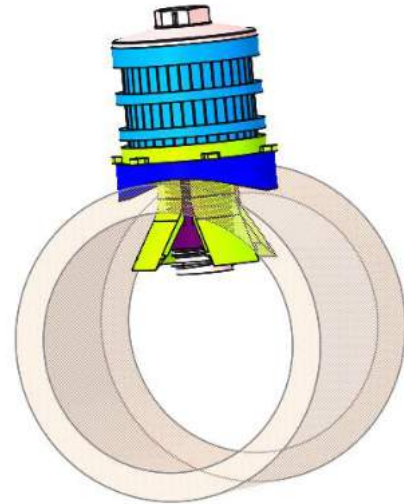
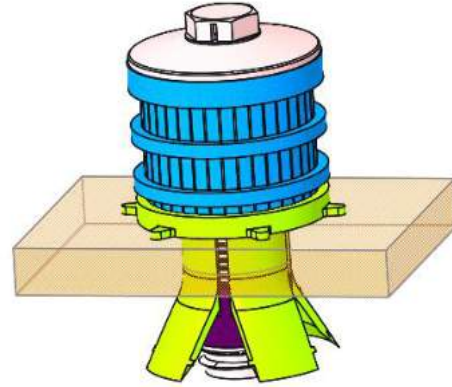
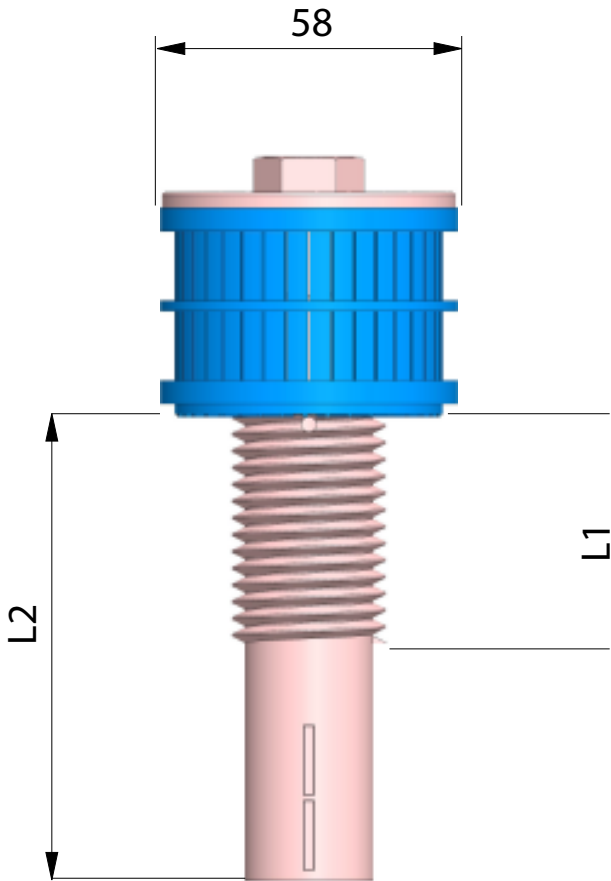
TYPE - BW



Type	Slot Width (mm)	Slot No (pcs)	Total Slot Area (mm ²)
BW	0,25	28	119

THREAD	THREAD SIZE (O.D.)	INNER DIAMETER	L1	L2
1" W	25,4 mm	16 mm	20, 25, 30, +5, 100 mm	20, 25, 30, +5, 455 mm

TYPE - AFN/S

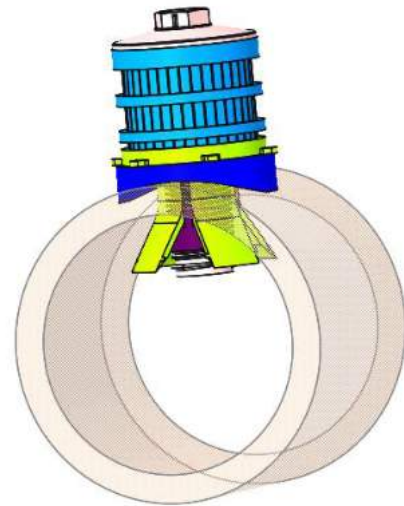
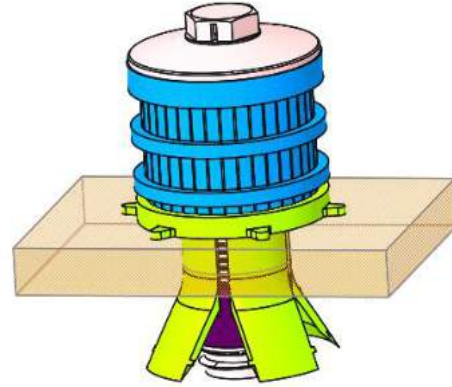
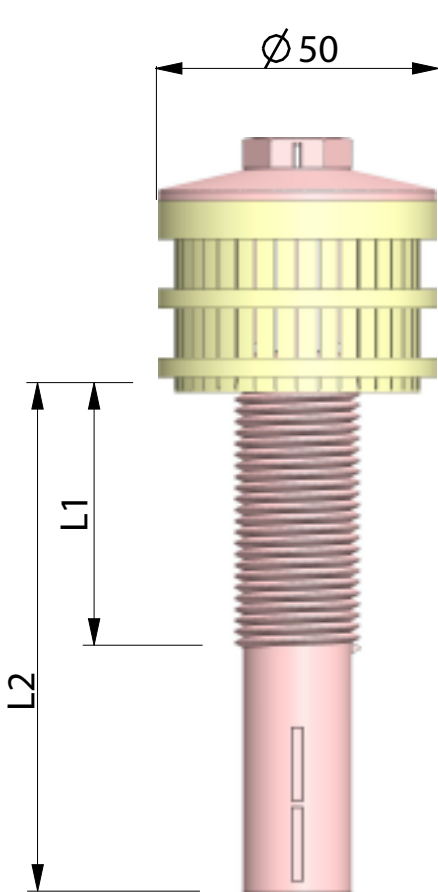


Pipe Diameter (mm)	Mounting hole diameter(mm)
75	Ø 28,0
90	
110	
114	
160	

Type	Slot Width (mm)	Slot No (pcs)	Total Slot Area (mm ²)
AFN/S	0,2	40	216
	0,25	40	270
	0,35	36	340
	0,5	36	486
	0,6	36	583
	1	36	972
	2	18	972

THREAD	THREAD SIZE (O.D.)	INNER DIAMETER	L1	L2
3/4" G	26,3 mm	16mm	20, 25, 30, +5, 100 mm	20, 25, 30, +5, 455 mm
1" G	33,2 mm	21mm	20, 25, 30, +5, 100 mm	20, 25, 30, +5, 455 mm
M24	24 mm	16 mm	20, 25, 30, +5, 100 mm	20, 25, 30, +5, 455 mm
M22 x 1,5	22 mm	16 mm	20, 25, 30, +5, 100 mm	20, 25, 30, +5, 455 mm
M30	30 mm	21 mm	20, 25, 30, +5, 100 mm	20, 25, 30, +5, 455 mm
15/16" WW	23,5 mm	16 mm	20, 25, 30, +5, 100 mm	20, 25, 30, +5, 455 mm
1" W	25,4 mm	16 mm	20, 25, 30, +5, 100 mm	20, 25, 30, +5, 455 mm
1 - 1/4" WW	31,75 mm	21 mm	20, 25, 30, +5, 100 mm	20, 25, 30, +5, 455 mm

TYPE - AFN/H

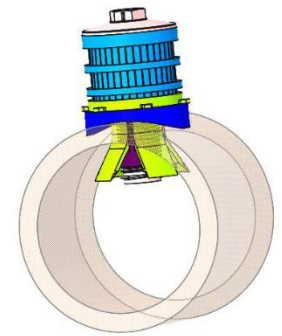
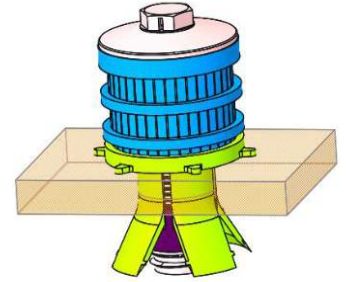
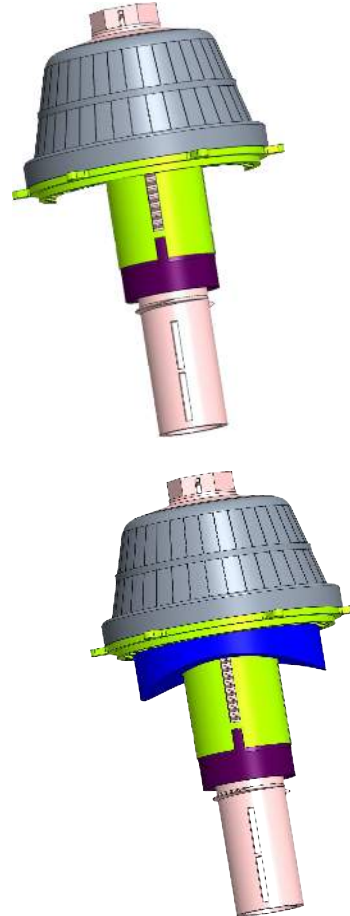
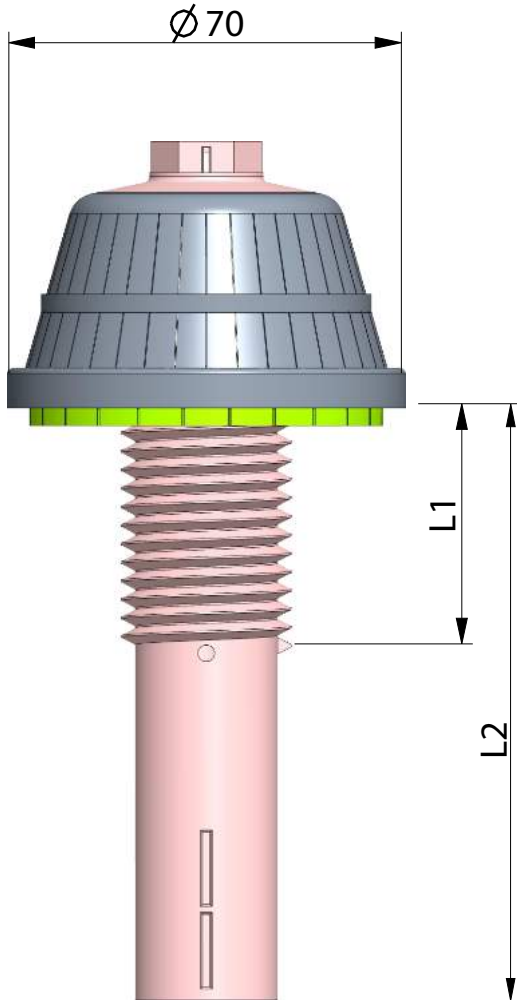


Pipe Diameter (mm)	Mounting hole diameter(mm)
75	Ø 28,0
90	
110	
114	
160	

Type	Slot Width (mm)	Slot No (pcs)	Total Slot Area (mm ²)
AFN/H	0,2	36	137
	0,3	36	205
	0,35	36	240
	0,4	36	274
	0,5	36	342
	0,8	36	546
	1	24	456
	2	20	700

THREAD	THREAD SIZE (O.D.)	INNER DIAMETER	L1	L2
3/4" G	26,3 mm	16mm	20, 25, 30, +5, 100 mm	20, 25, 30, +5, 455 mm
1" G	33,2 mm	21mm	20, 25, 30, +5, 100 mm	20, 25, 30, +5, 455 mm
M24	24 mm	16 mm	20, 25, 30, +5, 100 mm	20, 25, 30, +5, 455 mm
M22 x 1,5	22 mm	16 mm	20, 25, 30, +5, 100 mm	20, 25, 30, +5, 455 mm
M30	30 mm	21 mm	20, 25, 30, +5, 100 mm	20, 25, 30, +5, 455 mm
15/16" WW	23,5 mm	16 mm	20, 25, 30, +5, 100 mm	20, 25, 30, +5, 455 mm
1" W	25,4 mm	16 mm	20, 25, 30, +5, 100 mm	20, 25, 30, +5, 455 mm
1 - 1/4" WW	31,75 mm	21 mm	20, 25, 30, +5, 100 mm	20, 25, 30, +5, 455 mm

TYPE - AFN/M

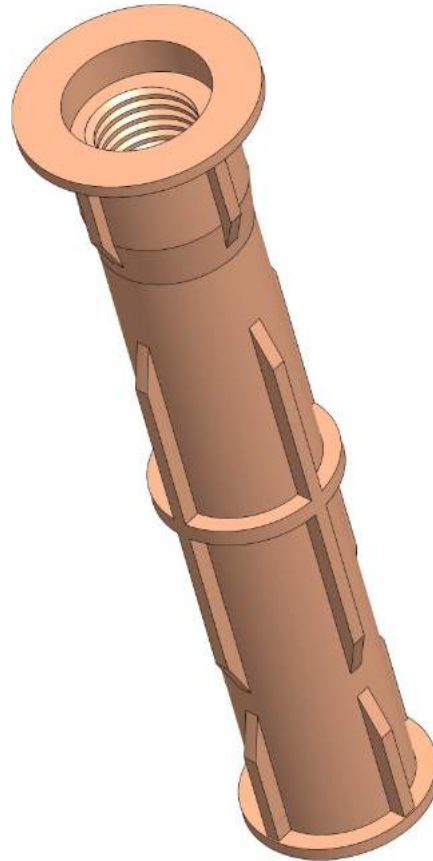
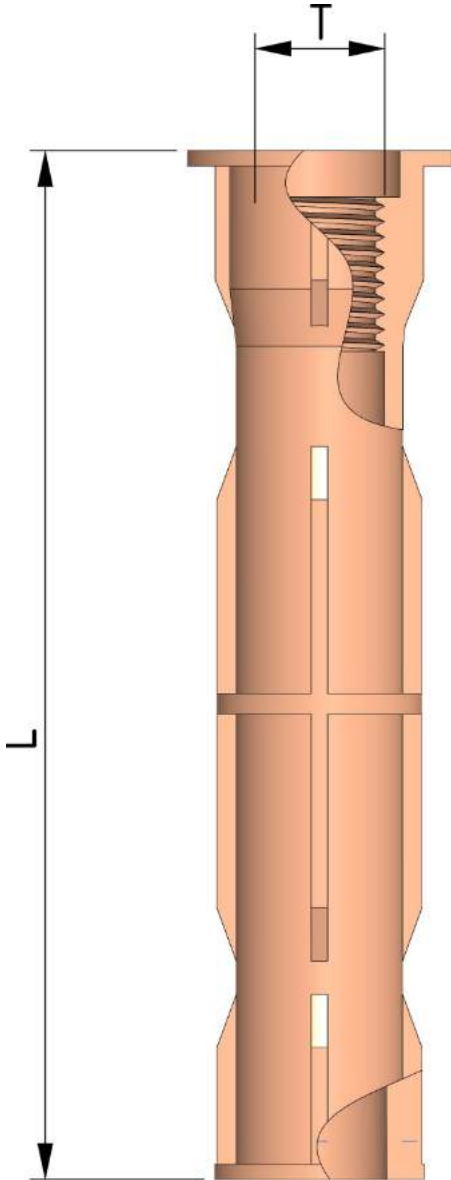


Pipe Diameter (mm)	Mounting hole diameter(mm)
75	Ø 28,0
90	
110	
114	
160	

Type	Slot Width (mm)	Slot No (pcs)	Total Slot Area (mm ²)
AFN/M	0,2	40	195
	0,25	40	205
	0,35	36	296
	0,5	36	423
	1	36	846
	2	24	950

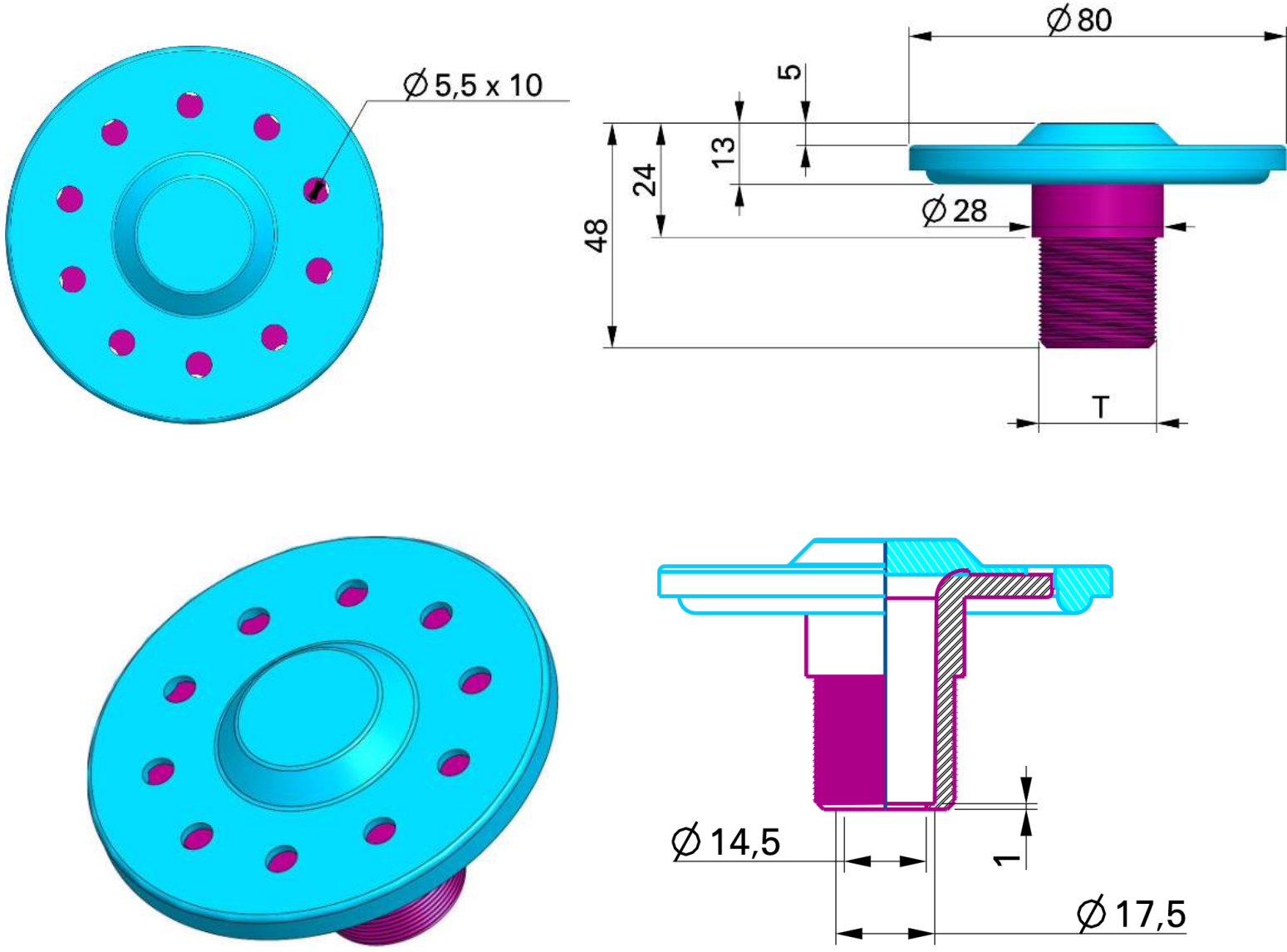
THREAD	THREAD SIZE (O.D.)	INNER DIAMETER	L1	L2
3/4" G	26,3 mm	16mm	20, 25, 30, +5, 100 mm	20, 25, 30, +5, 455 mm
1" G	33,2 mm	21mm	20, 25, 30, +5, 100 mm	20, 25, 30, +5, 455 mm
M24	24 mm	16 mm	20, 25, 30, +5, 100 mm	20, 25, 30, +5, 455 mm
M22 x 1,5	22 mm	16 mm	20, 25, 30, +5, 100 mm	20, 25, 30, +5, 455 mm
M30	30 mm	21 mm	20, 25, 30, +5, 100 mm	20, 25, 30, +5, 455 mm
15/16" WW	23,5 mm	16 mm	20, 25, 30, +5, 100 mm	20, 25, 30, +5, 455 mm
1" W	25,4 mm	16 mm	20, 25, 30, +5, 100 mm	20, 25, 30, +5, 455 mm
1 - 1/4" WW	31,75 mm	21 mm	20, 25, 30, +5, 100 mm	20, 25, 30, +5, 455 mm

FILTER NOZZLE SLEEVE - BK



Type	THREAD	L1
BK	3/4" G	60, +10, +10, 350,400 mm
	1" G	
	M24	
	M22 x 1,5	
	M30	
	15/16" WW	
	1" W	
	1 - 1/4" WW	

COARSE BUBBLE DISC DIFFUSER

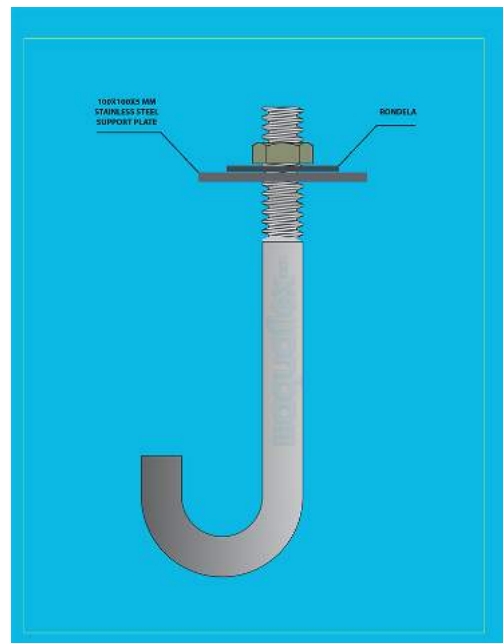
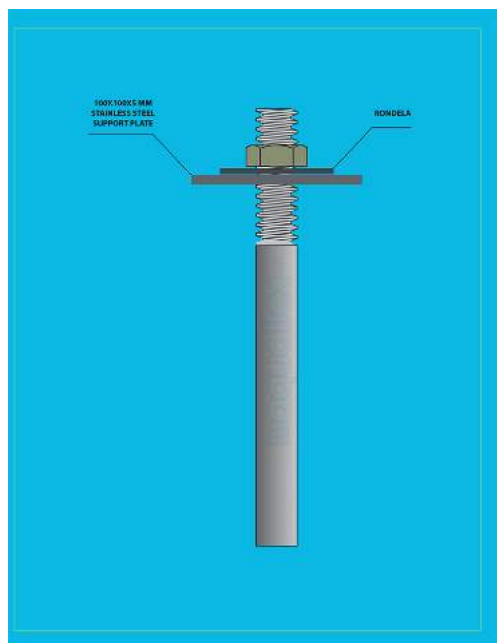
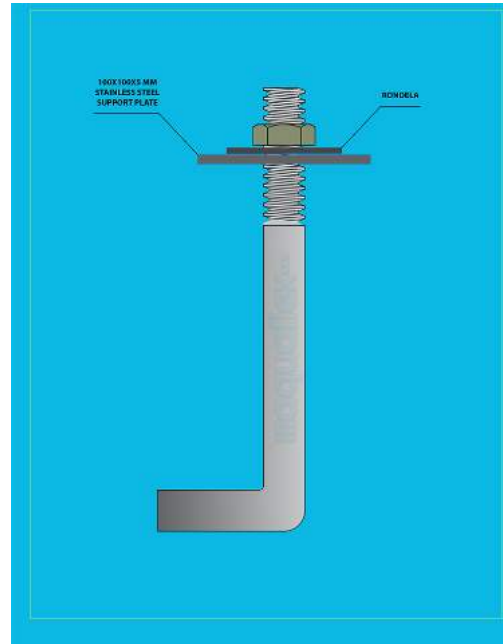
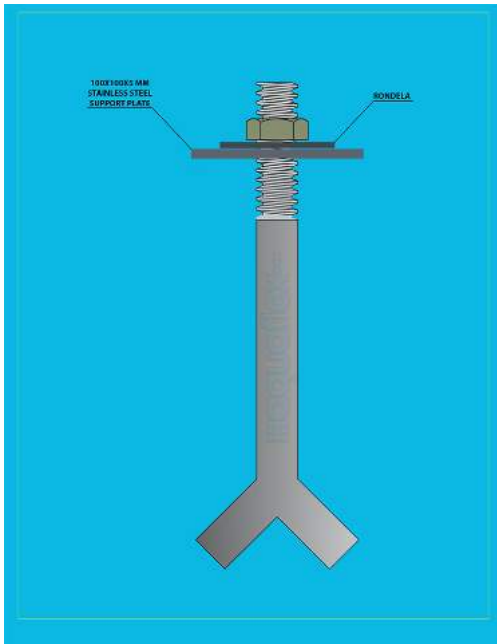


Type of Product	Total Height (mm)	Effective Area / Total Diameter (mm)	Perforated Area (m ²)	Capacity (Nm ³ /h)	Material of Membrane	Total Weight (kg)	Outlet
CBDD80-3"	46	60/80	0,02	2-25	EPDM - PTFE	0,4	3/4" Male

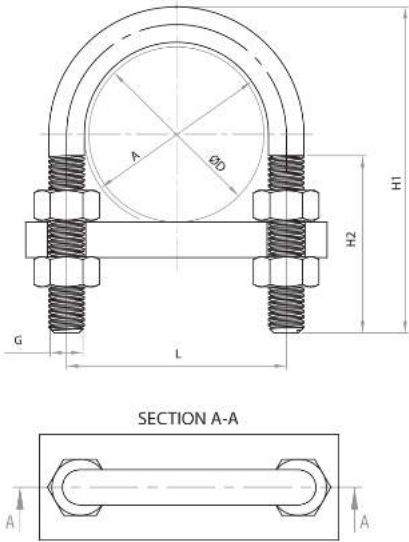
ANCHORS

SIZE		ANCHOR LENGTH	MATERIAL QUALITY	ANCHOR TYPE
Metric	Inc	250mm + 5mm	8.8 12.9 AISI 304 (EN 1.4301) AISI 316 (EN 1.4401) AISI 316 L (EN 1.4404)	Y Type (DIN 34828 Thread Diameter) J Type (DIN 34828 Thread Diameter) I Type (DIN 34828 Thread Diameter) L Type (DIN 34828 Thread Diameter)
M5 - M52	1/4" - 2"			

Please contact for the desired size and type of products.

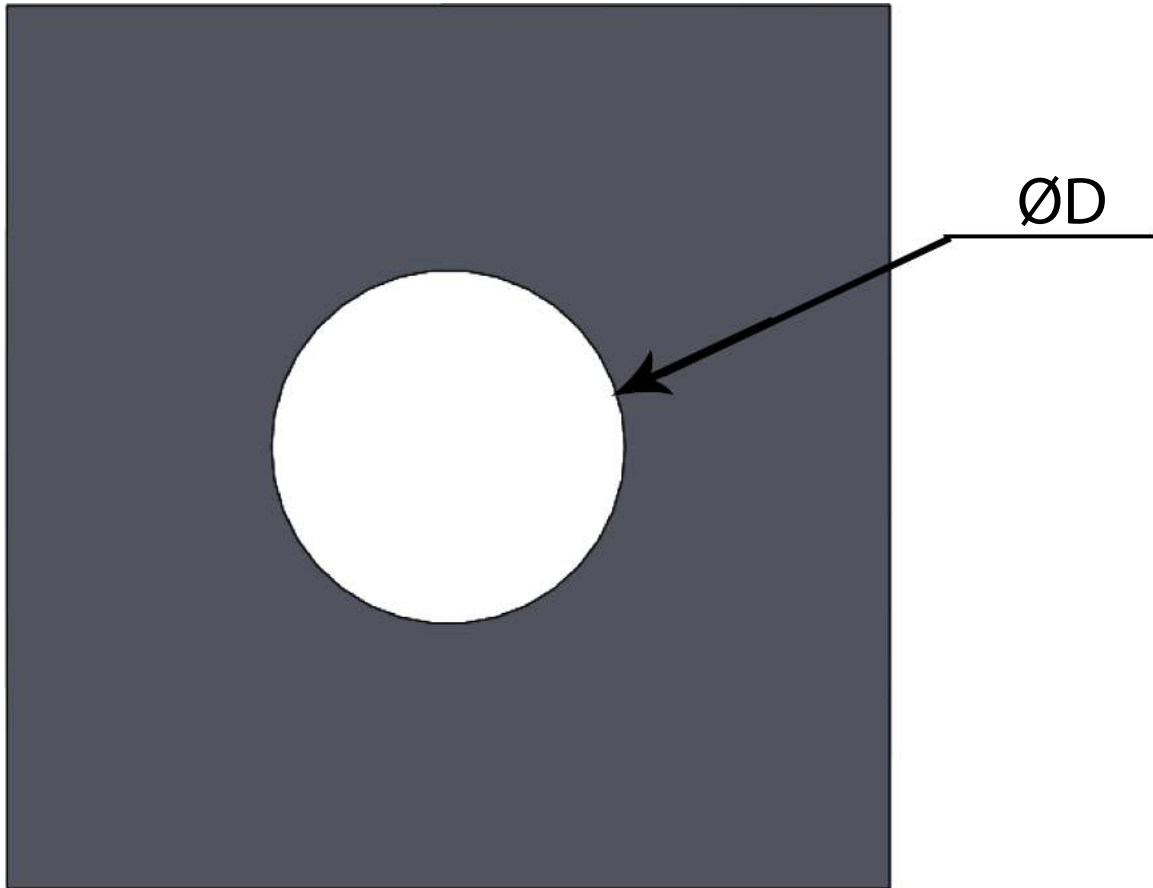


U-BOLT



DN	O.D. of Pipe / Tube/Hose mm	Nominal Bore Pipe inch	A	H1	H2	L	G
20	25	-	30	70	40	40	M10
	26.9	3/4					
25	30	-	38	76	50	48	
	33.7	1					
32	38	-	46	86	60	56	
	42.4	1 1/4					
40	44.5	-	52	92	70	62	
	48.3	1 1/2					
50	57	-	64	109	80	76	
	60.3	2					
65	76.1	2 1/2	82	125	90	94	
	88.9	3					
80	88.9	3	94	138	100	106	
	108	-					
100	114.3	4	120	171	110	136	
	133	-					
125	139.7	5	148	191	120	164	
	159	-					
150	168.3	6	176	217	130	192	
	191	-					
175	193.7	-	202	249	140	218	
	216	-					
200	219.1	8	228	283	150	248	
	267	-					
250	273	10	282	334	160	302	
	318	-					
300	323.9	12	332	385	170	352	
	355.6	-					
350	368	-	378	435	180	402	
	406.4	16					
400	419	-	428	487	190	452	
	508	-					
500	521	-	530	589	200	554	

PLATE



Material Quality

AISI304

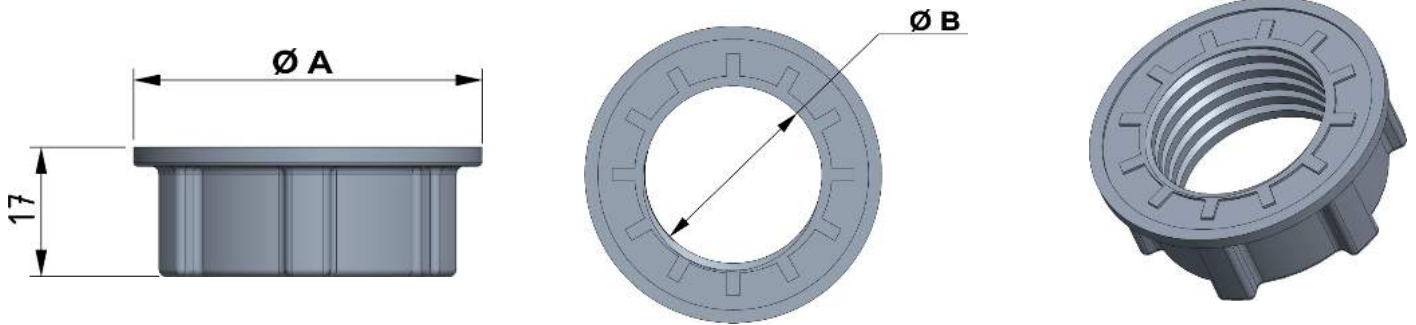
AISI304 L

AISI316

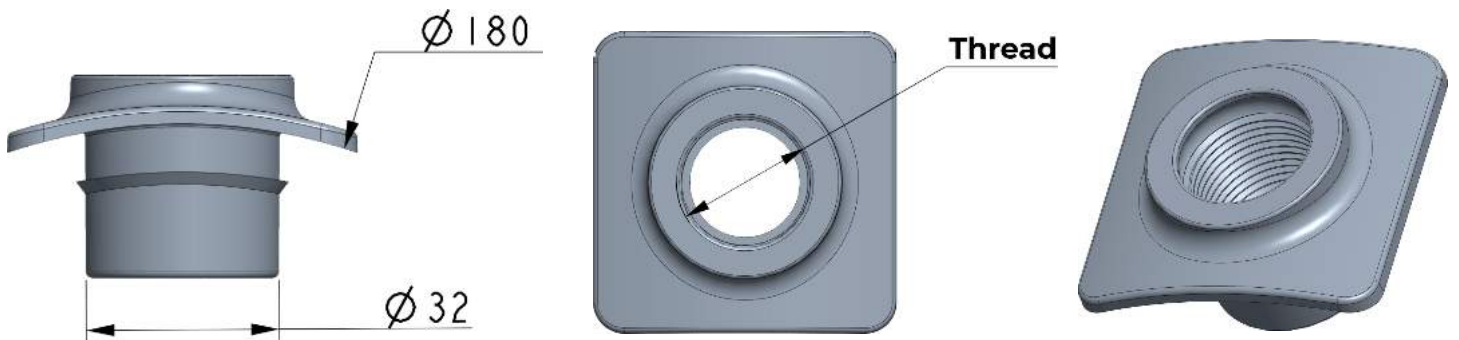
AISI316 L

*** It is produced in desired dimensions.

CONNECTION ACCESSORIES

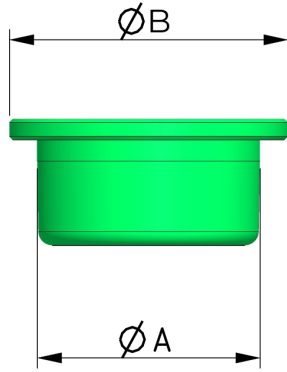


Type	Thread (ØB)	ØA	Height (mm)
SO	15/16"W	45 60 85	17
	M20		
	M22		
	M24		
	1" W		
	1 1/4" W		
	3/4" G		

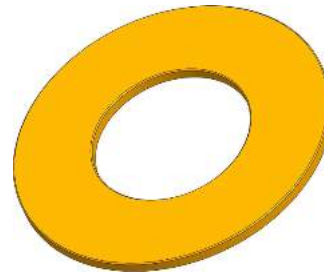
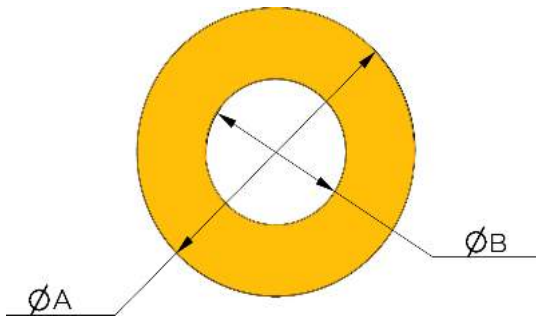


Type	Pipe thickness	Thread	Material
GRO	3	15/16"W 3/4" G	EPDM PVC
	6		
	13		
	14		

CONNECTION ACCESSORIES

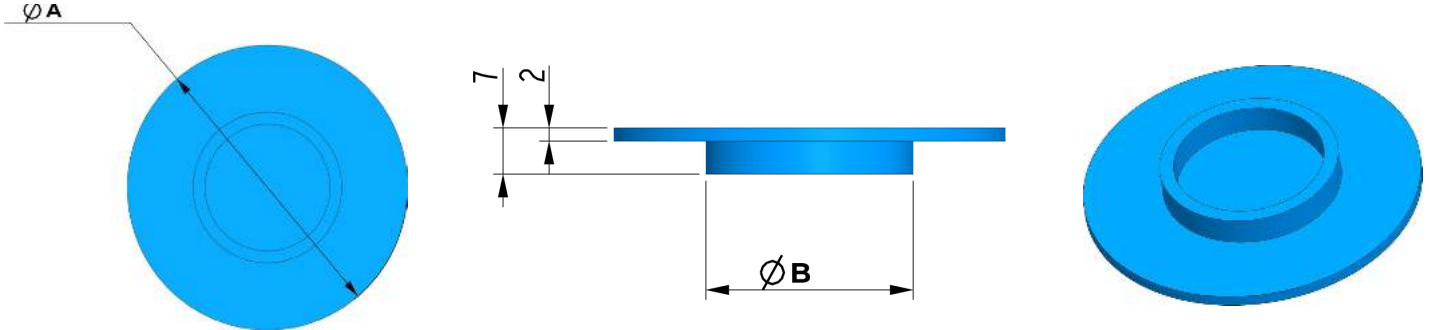


Type	$\varnothing A$	$\varnothing B$
PROTECTION COVER - KS	26	40
		54
		60
		70

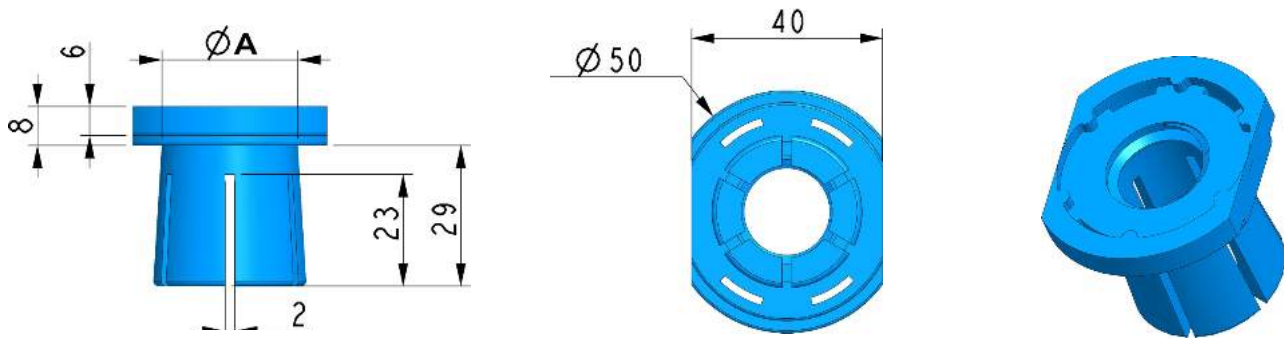


Type	$\varnothing A$	$\varnothing B$	Thickness (mm)
GASGET	50	21	2
		22	3
		25	2 - 5
		26	2 - 3
		28	2 - 3
		30	2 - 7
		32	1 - 2 - 3 - 7
	70	21	2
		25	2
		28	2 - 7
		30	2 - 7
		32	2 - 7

CONNECTION ACCESSORIES

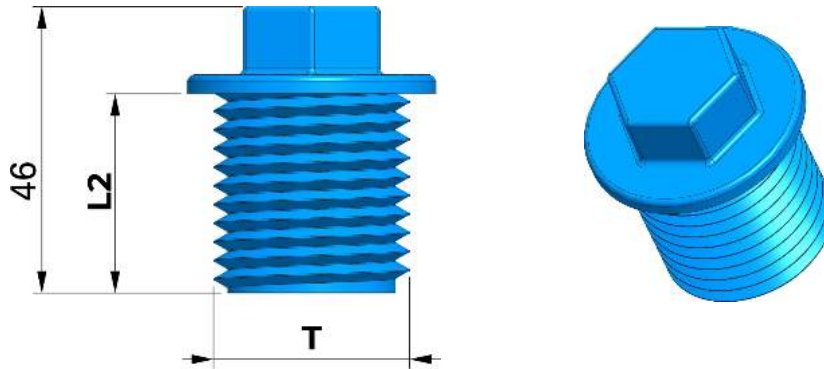


Type	ØA	ØB	Thickness (mm)	Thread
FIXING CAPS	60 70	26	2	15/16"W 1"W M24 7/8"W 1/2"G
	60 70	32	2	3/4"G 1.1/4"W



Type	ØA	Plate Thickness (mm)	Thread
EXPB	28	5	15/16"W M24
		10	
		15	
		20	
		25	

CONNECTION ACCESSORIES



Type	Thread (Ø T)	L2
BLIND PLUG - DKT	15/16"W	25,30,32,35,55
	M24	
	1/2"G	
	1" W	
	1 1/4" W	
	3/4" G	

AQUAFLEX

SINCE 1974
IN MORE THAN 65 COUNTRIES
WE GIVE LIFE TO THE WATER.



CONTACT US

KAYAPA MAH. ORKIDE CAD. NO : 1/1 NILUFER BURSA
TURKEY

+90 (850) 888 73 02 / +90 (224) 441 12 08 - 09

info@aquaflex.com.tr / export@aquaflex.com.tr

www.aquaflex.com.tr