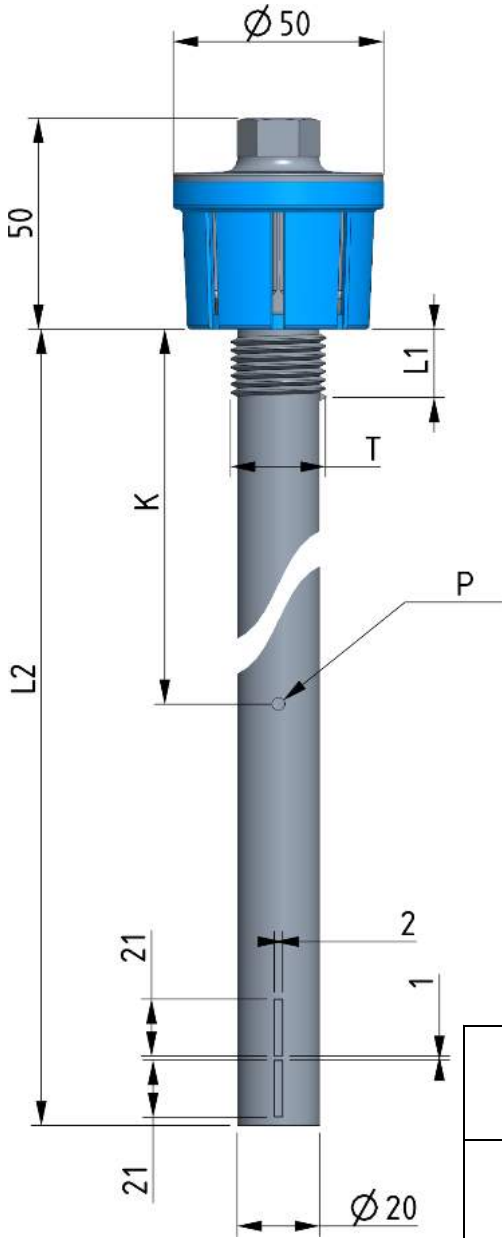


# CYLINDRIC TYPE - F



Type	Slot Width (mm)	Slot No (pcs)	K (mm)	P (Ømm)	L1 (mm)	L2 (mm)
F	0,4	36	198	3,2	17,75	300
	2,5	8	230	3,8	17,75	330
	2,5	8	285	3,8	17,75	385

THREAD	THREAD SIZE (O.D.)	INNER DIAMETER	L1	L2
3/4" G	26,3 mm	16mm	20, 25, 30, +5, ..... 100 mm	20, 25, 30, +5, ..... 455 mm
1" G	33,2 mm	21mm	20, 25, 30, +5, ..... 100 mm	20, 25, 30, +5, ..... 455 mm
M24	24 mm	16 mm	20, 25, 30, +5, ..... 100 mm	20, 25, 30, +5, ..... 455 mm
M22 x 1,5	22 mm	16 mm	20, 25, 30, +5, ..... 100 mm	20, 25, 30, +5, ..... 455 mm
M30	30 mm	21 mm	20, 25, 30, +5, ..... 100 mm	20, 25, 30, +5, ..... 455 mm
15/16" WW	23,5 mm	16 mm	20, 25, 30, +5, ..... 100 mm	20, 25, 30, +5, ..... 455 mm
1" W	25,4 mm	16 mm	20, 25, 30, +5, ..... 100 mm	20, 25, 30, +5, ..... 455 mm
1 - 1/4" WW	31,75 mm	21 mm	20, 25, 30, +5, ..... 100 mm	20, 25, 30, +5, ..... 455 mm