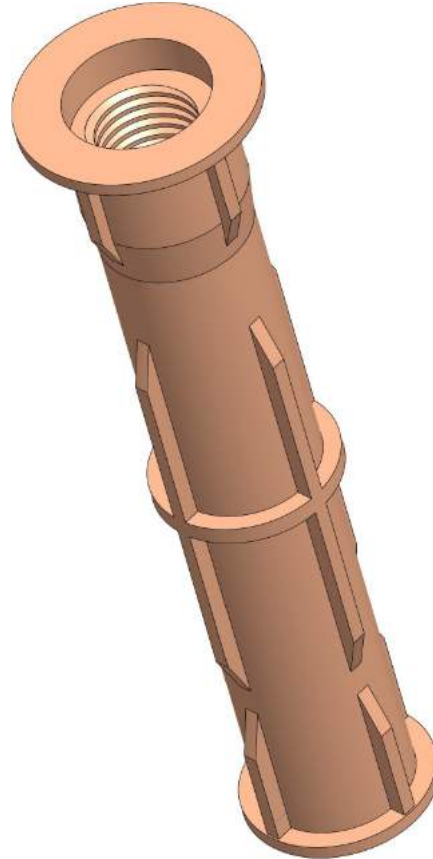
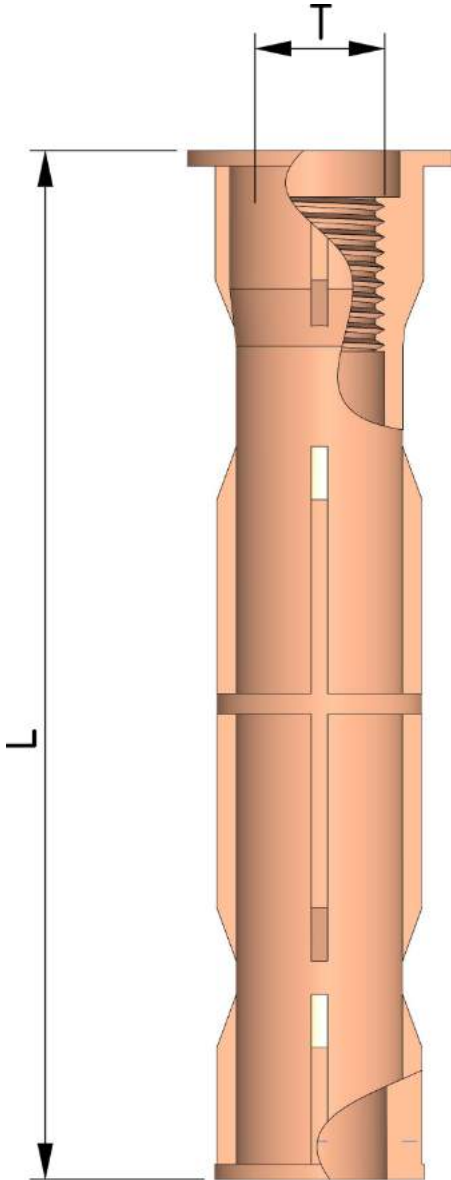
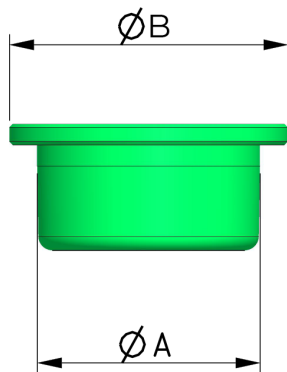


FILTER NOZZLE SLEEVE - BK

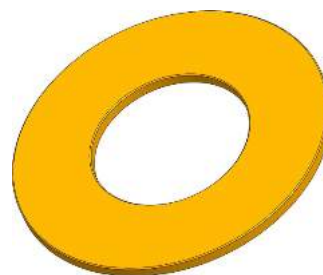
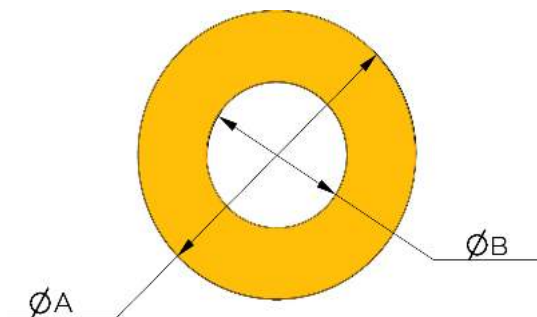


Type	THREAD	L1
BK	3/4" G	60, +10, +10, 350,400 mm
	1" G	
	M24	
	M22 x 1,5	
	M30	
	15/16" WW	
	1" W	
	1 - 1/4" WW	

CONNECTION ACCESSORIES

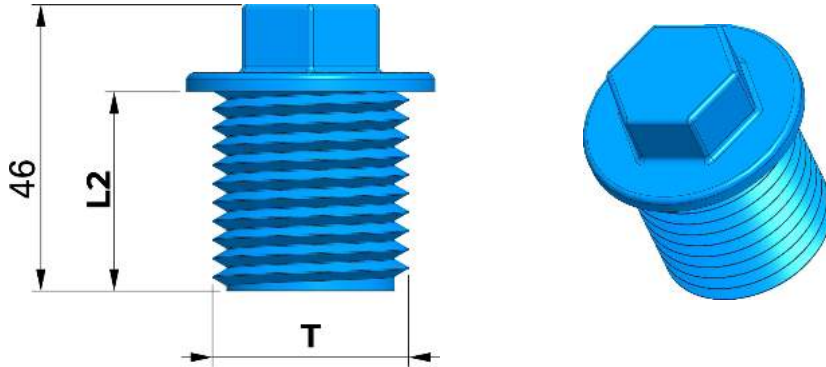


Type	$\varnothing A$	$\varnothing B$
PROTECTION COVER - KS	26	40
		54
		60
		70



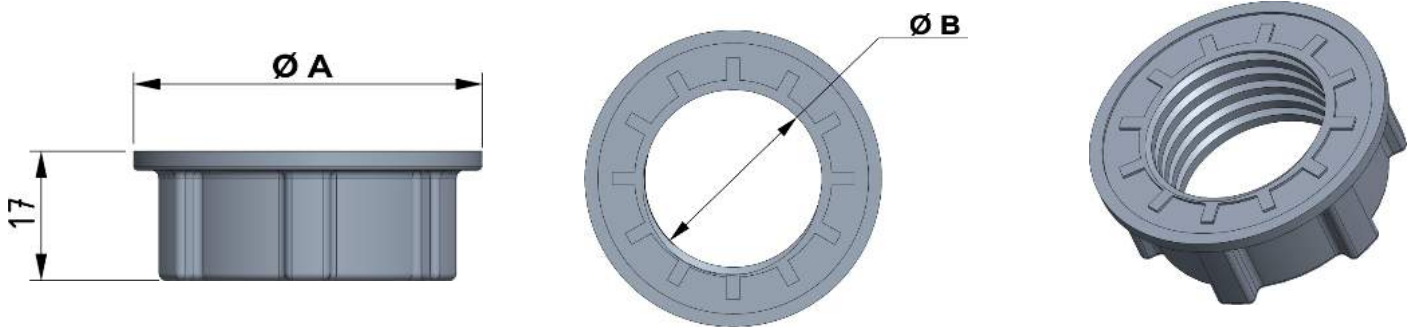
Type	$\varnothing A$	$\varnothing B$	Thickness (mm)
GASGET	50	21	2
		22	3
		25	2 - 5
		26	2 - 3
		28	2 - 3
		30	2 - 7
		32	1 - 2 - 3 - 7
	70	21	2
		25	2
		28	2 - 7
		30	2 - 7
		32	2 - 7

CONNECTION ACCESSORIES



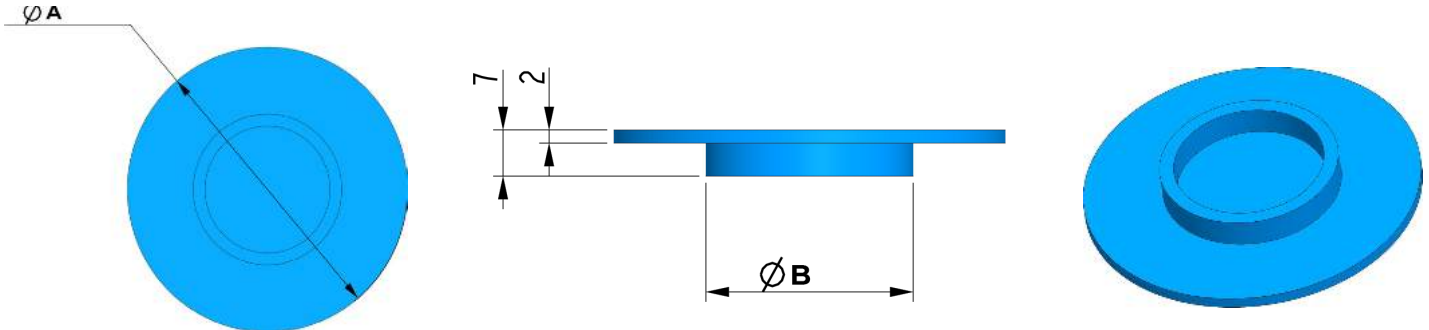
Type	Thread (Ø T)	L2
BLIND PLUG - DKT	15/16"W	25,30,32,35,55
	M24	
	1/2"G	
	1" W	
	1 1/4" W	
	3/4" G	

CONNECTION ACCESSORIES

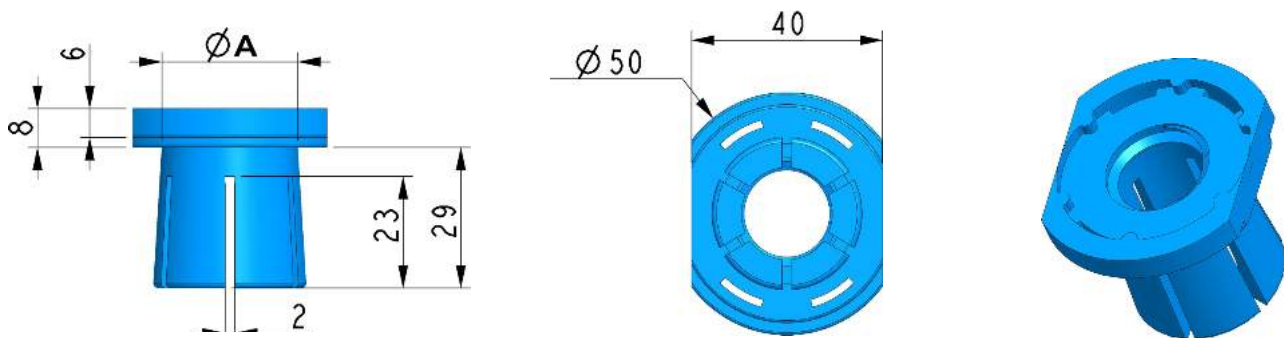


Type	Thread (ØB)	ØA	Height (mm)
SO	15/16" W	45 60 85	17
	M20		
	M22		
	M24		
	1" W		
	1 1/4" W		
	3/4" G		

CONNECTION ACCESSORIES



Type	$\varnothing A$	$\varnothing B$	Thickness (mm)	Thread
FIXING CAPS	60 70	26	2	15/16"W 1"W M24 7/8"W 1/2"G
	60 70	32	2	3/4"G 1.1/4"W

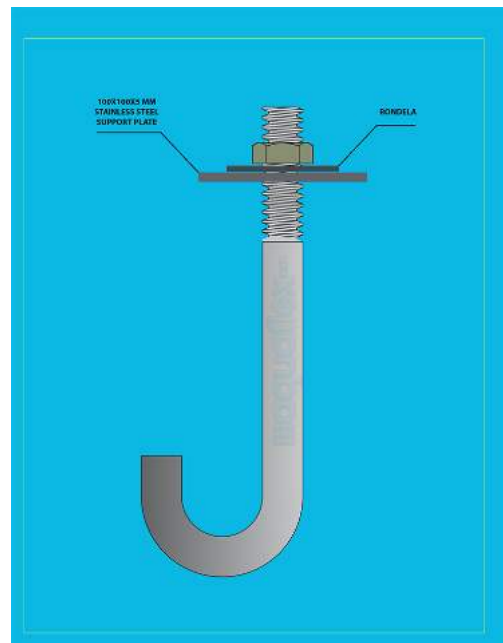
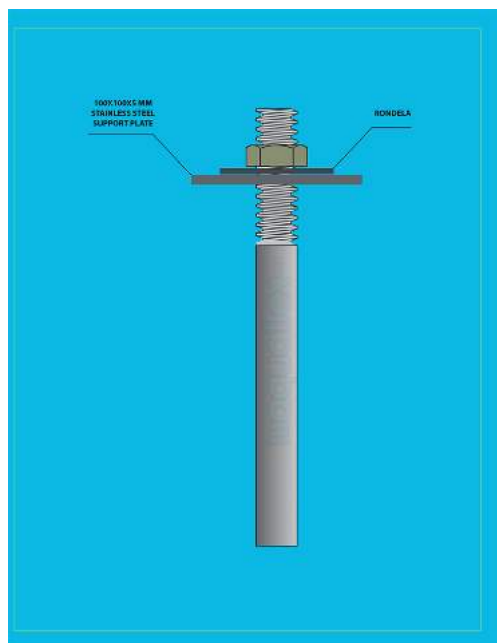
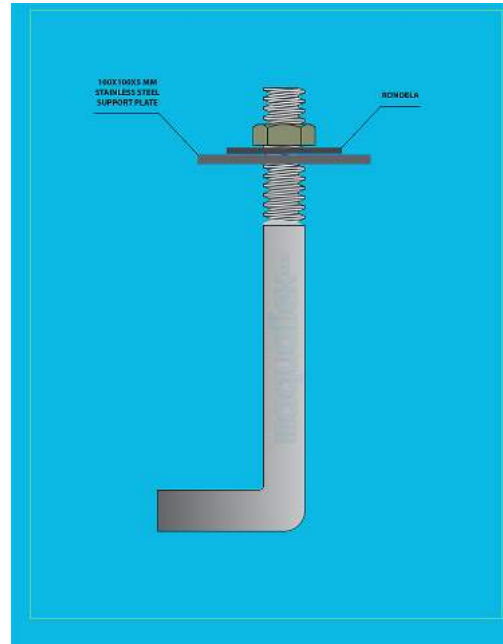
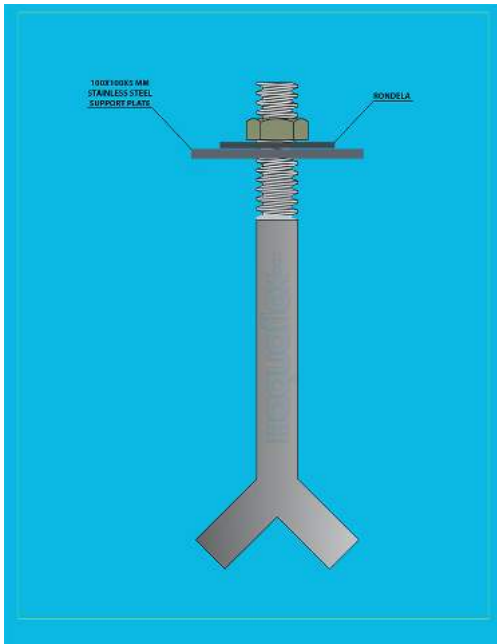


Type	$\varnothing A$	Plate Thickness (mm)	Thread
EXPB	28	5	15/16"W M24
		10	
		15	
		20	
		25	

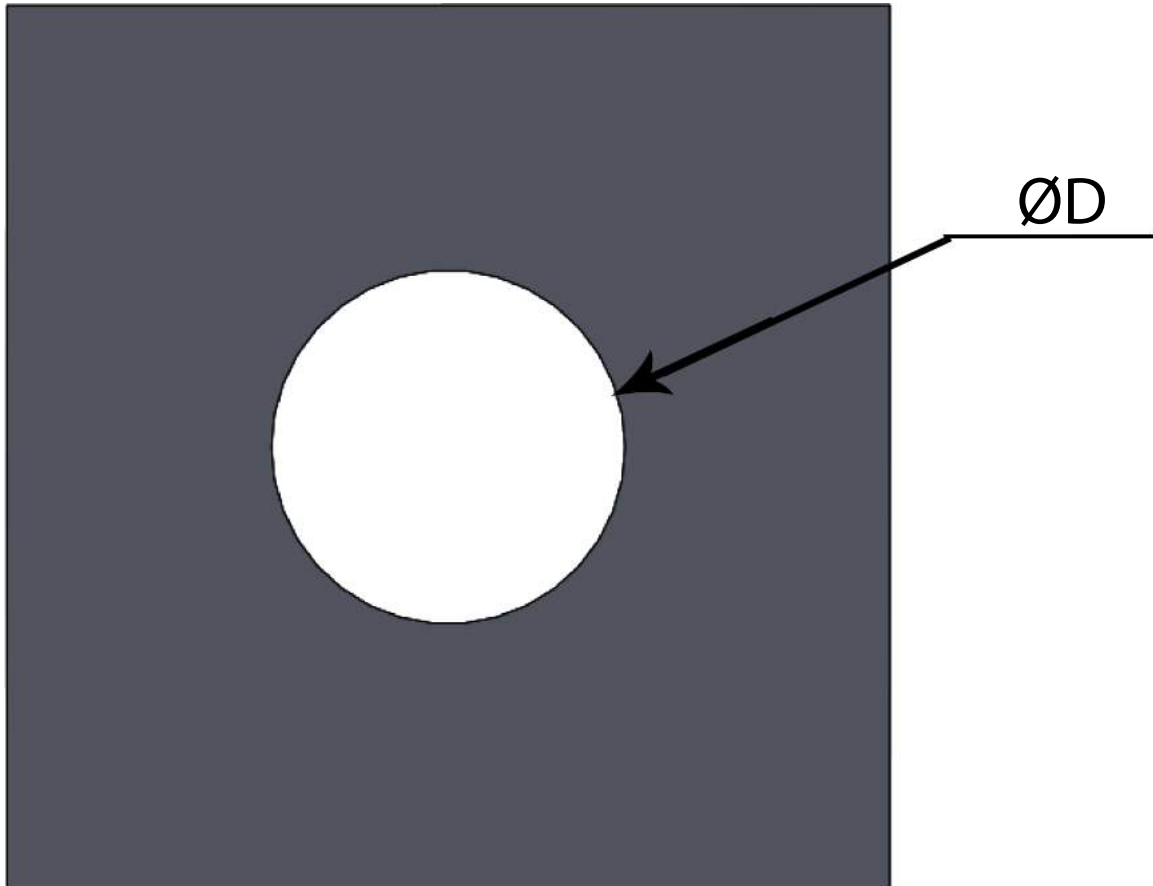
ANCHORS

SIZE		ANCHOR LENGTH	MATERIAL QUALITY	ANCHOR TYPE
Metric	Inc	250mm + 5mm	8.8 12.9 AISI 304 (EN 1.4301) AISI 316 (EN 1.4401) AISI 316 L (EN 1.4404)	Y Type (DIN 34828 Thread Diameter) J Type (DIN 34828 Thread Diameter) I Type (DIN 34828 Thread Diameter) L Type (DIN 34828 Thread Diameter)
M5 - M52	1/4" - 2"			

Please contact for the desired size and type of products.



PLATE



Material Quality

AISI304

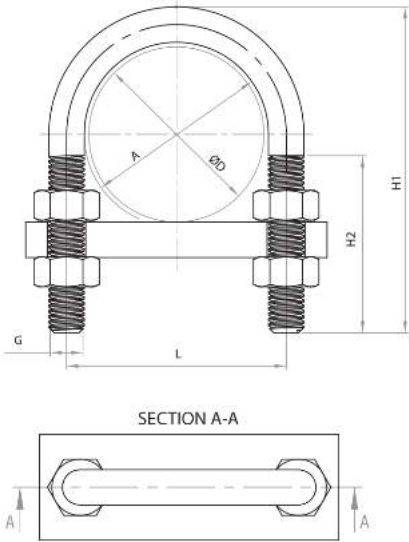
AISI316

AISI304 L

AISI316 L

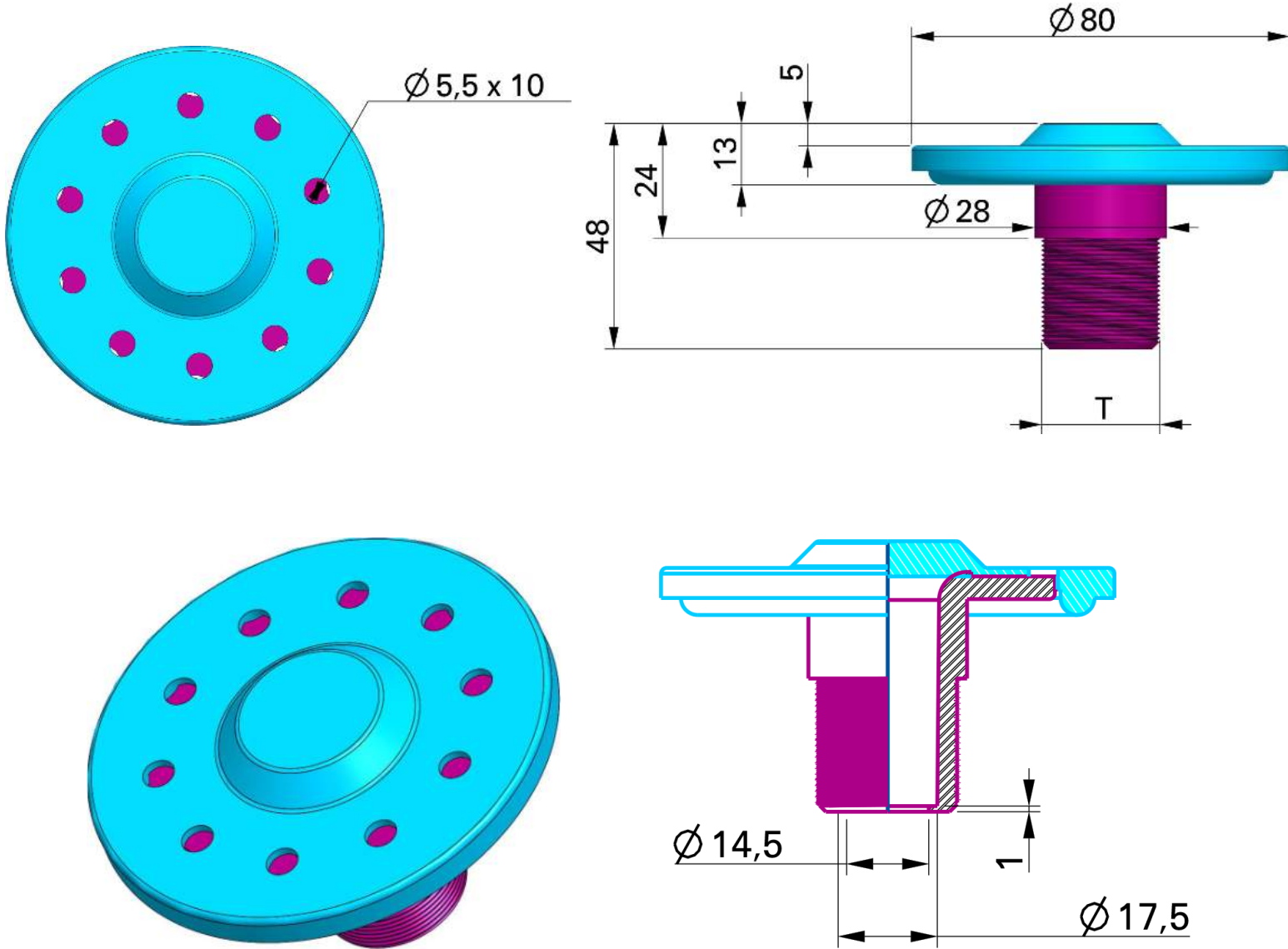
*** It is produced in desired dimensions.

U-BOLT



DN	O.D. of Pipe / Tube/Hose mm	Nominal Bore Pipe inch	A	H1	H2	L	G
20	25	-	30	70	40	40	M10
	26.9	3/4					
25	30	-	38	76	50	48	
	33.7	1					
32	38	-	46	86	60	56	
	42.4	1 1/4					
40	44.5	-	52	92	70	62	
	48.3	1 1/2					
50	57	-	64	109	80	76	
	60.3	2					
65	76.1	2 1/2	82	125	90	94	
	88.9	3					
80	88.9	3	94	138	100	106	
	108	-					
100	114.3	4	120	171	110	136	
	133	-					
125	139.7	5	148	191	120	164	
	159	-					
150	168.3	6	176	217	130	192	
	191	-					
175	193.7	-	202	249	140	218	
	216	-					
200	219.1	8	228	283	150	248	
	267	-					
250	273	10	282	334	160	302	
	318	-					
300	323.9	12	332	385	170	352	
	355.6	-					
350	368	-	378	435	180	402	
	406.4	16					
400	419	-	428	487	190	452	
	508	-					
500	521	-	530	589	200	554	

COARSE BUBBLE DISC DIFFUSER



Type of Product	Total Height (mm)	Effective Area / Total Diameter (mm)	Perforated Area (m ²)	Capacity (Nm ³ /h)	Material of Membrane	Total Weight (kg)	Outlet
CBDD80-3"	46	60/80	0,02	2-25	EPDM - PTFE	0,4	3/4" Male