

FILTER NOZZLES
PRODUCT FILE

■ ■ ■ aquaflex ■ ■ ■

**DRINKING WATER
AND
WASTE WATER TREATMENT PLANT EQUIPMENT**

MATERIAL

Aquaflex filter nozzles are produced from Polypropylene material .

INSTALLATION

Nozzles have to be stored free from frost, do not install at temperatures below 0 °C.

Prior to installation check whether any transport damage has occurred.

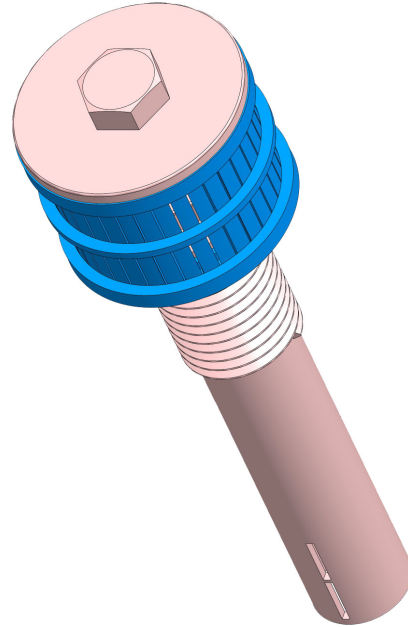
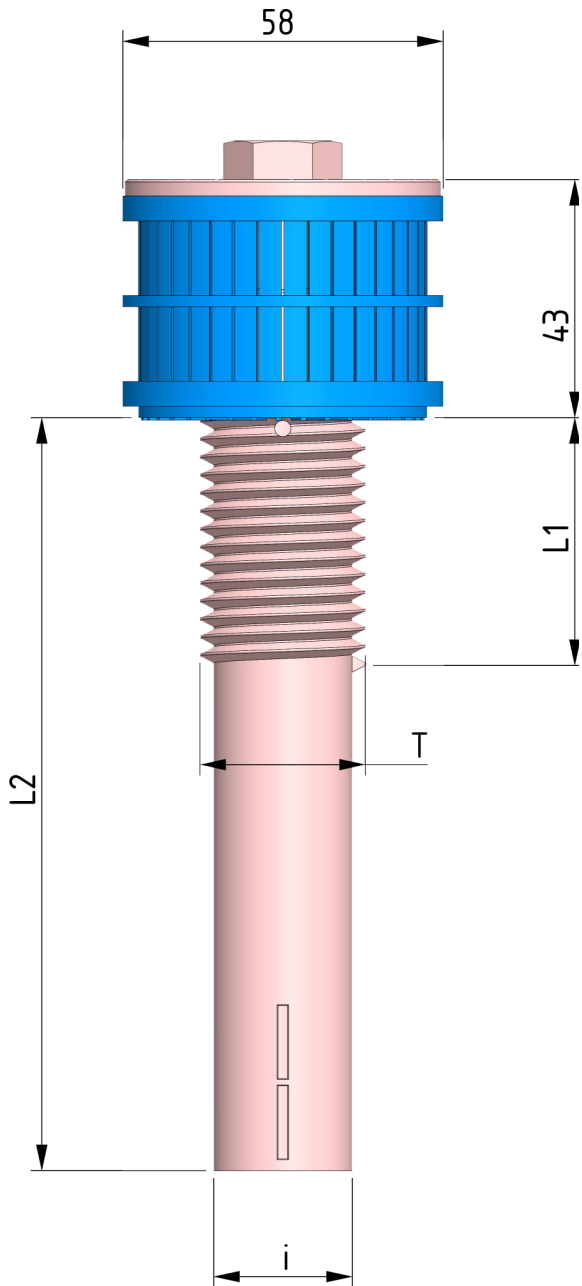
In case of frost, preheat filter nozzles, use warm water if necessary.

Check hole diameter in the nozzle plate. Insert filter nozzles manually in the hole. **Do not use a hammer!**

Screw nut clockwise against the plate.

Hold fast nut and screw nozzle clockwise. Turn the nut all the way onto the nozzle threads by hand.

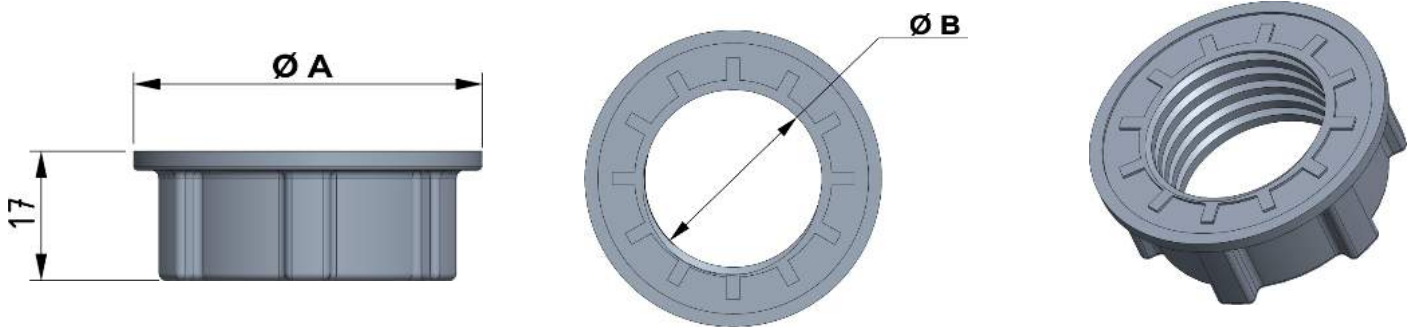
CYLINDRIC TYPE - S



Type	Slot Width (mm)	Slot No (pcs)	Total Slot Area (mm ²)
S	0,2	40	216
	0,25	40	270
	0,35	36	340
	0,5	36	486
	0,6	36	583
	1	36	972
	2	18	972

THREAD	THREAD SIZE (O.D.)	INNER DIAMETER	L1	L2
3/4" G	26,3 mm	16mm	20, 25, 30, +5, 100 mm	20, 25, 30, +5, 455 mm
1" G	33,2 mm	21mm	20, 25, 30, +5, 100 mm	20, 25, 30, +5, 455 mm
M24	24 mm	16 mm	20, 25, 30, +5, 100 mm	20, 25, 30, +5, 455 mm
M22 x 1,5	22 mm	16 mm	20, 25, 30, +5, 100 mm	20, 25, 30, +5, 455 mm
M30	30 mm	21 mm	20, 25, 30, +5, 100 mm	20, 25, 30, +5, 455 mm
15/16" WW	23,5 mm	16 mm	20, 25, 30, +5, 100 mm	20, 25, 30, +5, 455 mm
1" W	25,4 mm	16 mm	20, 25, 30, +5, 100 mm	20, 25, 30, +5, 455 mm
1 - 1/4" WW	31,75 mm	21 mm	20, 25, 30, +5, 100 mm	20, 25, 30, +5, 455 mm

CONNECTION ACCESSORIES



Type	Thread (ØB)	ØA	Height (mm)
SO	15/16" W	45 60 85	17
	M20		
	M22		
	M24		
	1" W		
	1 1/4" W		
	3/4" G		

AQUAFLEX

SINCE 1974
IN MORE THAN 65 COUNTRIES
WE GIVE LIFE TO THE WATER.



CONTACT US

KAYAPA MAH. ORKIDE CAD. NO : 1/1 NILUFER BURSA
TURKEY

+90 (850) 888 73 02 / +90 (224) 441 12 08 - 09

info@aquaflex.com.tr / export@aquaflex.com.tr

www.aquaflex.com.tr